



---

## HISTORY

To mark the 100th anniversary of Hans J. Wegner's birth in 2014, Carl Hansen & Søn is launching Wegner's CH88 chair - a 1955 design that has, to date, existed only as a prototype.

A CH88 prototype was first unveiled in 1955 at the international H55 Exhibition in Helsingborg, organized by the Swedish Design Association, Föreningen Svensk Form.

---

## DESCRIPTION

The upper structure of the CH88 features a steam-bent wooden backrest for back support, with slight curvatures of the backrest's ends provides a natural resting place for the arms.

The steel frame, with straight back legs, supports an oval-shaped wooden seat - which is available with optional leather or textile upholstery.

The CH88 is available in beech, oak and smoked oak in a range of finishes and colors.

The frame is available in stainless steel, black powder coating and chrome.

CH88 is stackable and stacks up to four chairs.

The chair's dimensions are 44.5 cm (seat height), 76.5 cm (height), 44.5 cm (depth) and 57 cm (width).

The chairs blend of materials, combined with a minimalist design, results in a light, organic, industrial expression.

The CH88's overall flexibility, coupled with its many variants, makes the chair equally well-suited to multiple environments - from the living room to the hotel restaurant or corporate canteen.

---

## ENVIRONMENTAL INFORMATION

Carl Hansen & Søn and sustainability

People's fascination of the combination of good design and wood, as well as other natural materials, is something that transcends time and fashion. At Carl Hansen & Søn, we believe that this fascination helps to explain the great interest in our furniture, and we take very seriously concerns about the sustainability of the natural resources upon which we depend for our products. That is why we strive every day to improve our production methods, logistics and sales efforts in respect of scarce natural resources.

We buy wood only from sustainably managed forests. All sourced wood meets EUTR 2013 regulations, Danish Forest Legislation and current international certifications. Oak, beech and ash come primarily from Danish forests which are managed according to the principles described in Denmark's National Forest Programme; some of these wood types are also sourced from other similarly managed European forests, or, in the case of walnut and cherry, North American forests.

---

## Carl Hansen & Son HK Limited

16th Floor, 202 Centre  
202-204 Des Vaux Road West  
Hong Kong

+852 5631 0267  
ml@carlhansen.com

## AMERICA

### Carl Hansen & Søn Corp

304 Hudson Street  
3rd Floor  
New York, NY 10013  
USA

Tel: +1 212 242 6736  
northamerica@carlhansen.com

### Carl Hansen & Søn Showroom Los Angeles

8745 Washington Boulevard  
Studio B  
Culver City, CA 90232  
Tel.: + 1 (310) 842-8656

---

## THE DESIGNER

**Hans J. Wegner** was born in 1914 in Tønder, the son of a shoemaker. At the age of 17 he was apprenticed to a carpenter (H. F. Stahlberg) and it was at this time that he developed his first design. At the age of 20 he moved to Copenhagen to study at the institution now known as The Royal Danish Academy of Fine Arts, School of Design but which back then went under the more modest title of "The Artisan College."

He studied there from 1936-1938, before taking further studies as an architect. In 1940 Wegner initiated a joint project with Arne Jacobsen and Erik Møller in Aarhus, which involved fitting out Aarhus' town hall. It was also in 1940 that Wegner began to work with Master Carpenter Johannes Hansen, a man who played a significant role in bringing modern design to the Danish public. The then Copenhagen Industrial Art Museum (now Design Museum Denmark) purchased their first Wegner chair in 1942. **Hans J. Wegner** opened his own design studio in 1943, and in 1944 he designed his first "China Chair" in a series inspired by the Chinese Emperor's thrones.

---

One of the chairs in this series is what is probably Wegner's most famous work **The Wishbone Chair** which he designed in 1949, and which Carl Hansen & Søn have manufactured since 1950. **Hans J. Wegner** is regarded as one of the world's outstanding furniture designers. He was one of the motive forces behind the Danish Modern movement which did much to change people's view of furniture in the 1950s and 60s. His design retain

We use every possible bit of these fine hardwoods in our furniture production. Inevitably, however, there are some scraps, which are then used to produce other products or recycled in district heating plants.

## CONTACT INFORMATION

### EUROPE

#### Carl Hansen & Søn A/S

Hylkedamvej 77-79  
Bygning 2  
DK 5591 Gelsted  
Denmark

Tel: +45 66 12 14 04  
Fax: +45 65 91 60 04  
info@carlhansen.com

#### Carl Hansen & Søn Flagship Store

Bredgade 21  
1260 Copenhagen K  
Denmark

Phone: +45 64 47 23 60  
retail@carlhansen.dk

#### Carl Hansen & Søn Showroom Oslo

Drammensveien 130 B9  
0277 Oslo  
Norway

Contract  
+47 926 83 994  
mh@carlhansen.dk

Retail  
+47 900 77 087  
hrs@carlhansen.dk

#### Carl Hansen & Søn Showroom London

16 Bowling Green Lane  
London  
EC1R 0BD  
United Kingdom

Tel: +44 (0) 20 7632 7587  
Mail: ukinfo@carlhansen.com

#### Carl Hansen & Søn Showroom Milan

Piazza Paolo VI  
Via Delio Tessa  
20121 Milan  
Italy

+39 340 4266636  
oc@carlhansen.dk

### ASIA/PACIFIC

#### Carl Hansen & Søn Japan K.K.

2F Hills Aoyama, 3-39-9 Jingumae  
Shibuya-ku 150-0001  
Tokyo, Japan

Tel: +81 3 5413 6771  
Fax: +81 3 5413 6772  
info@carlhansen.jp

#### Carl Hansen & Søn Flagship Store Japan

Aoyama Artworks 1/2F  
2-5-10 Jingumae  
Shibuya-ku, Tokyo, 150-0001

relevance for us today and his sense for details is a source of constant wonder.

Wegner has received a number of prizes and recognitions. Amongst other things, he is an honorary member of The Royal Danish Academy of Fine Arts and has received an honorary doctorate from the Royal College of Art in London. He was also the first ever recipient of the Lunning Prize and received the 8th International Design Award in Osaka, Japan. His works are exhibited at major international museums including The Museum of Modern Art (MoMA) in New York and Die Neue Sammlung in Munich.

Hans J. Wegner died in Denmark in January 2007.

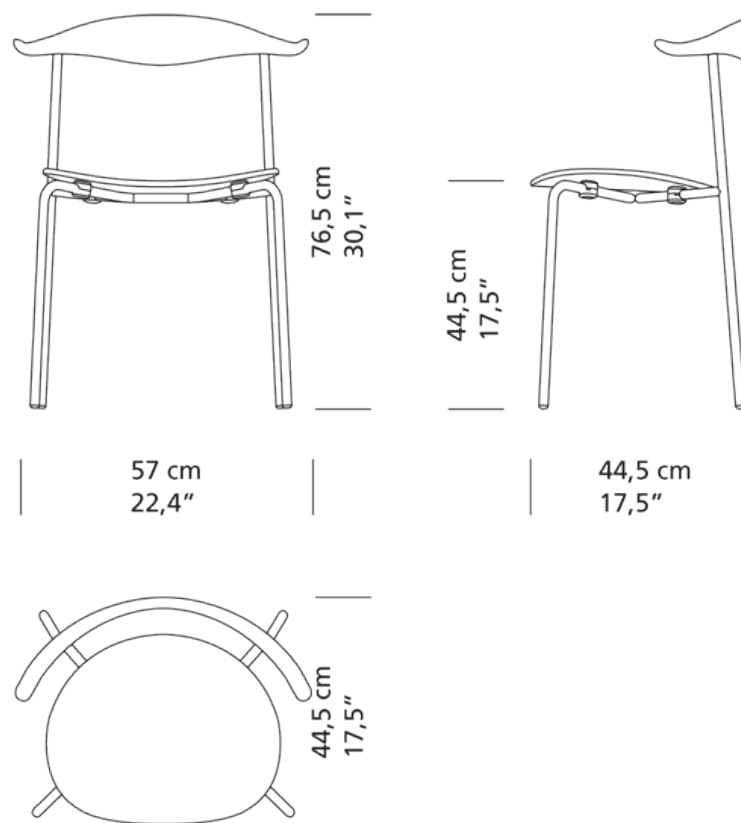
#### Hans J. Wegner's contributions to Danish design:

- A master carpenter first and a designer second: Perfectly finished joints and exquisite forms.
- A deep respect for the wood and its character and an everlasting curiosity about good materials.
- He gave minimalism an organic and natural softness.
- He is considered as "the master chair-maker" and designed more than 500 chairs during the course of his life.

Experience Wegner's iconic Wishbone Chair

Watch the making of the Wishbone Chair

## VARIANTS CHOICES AND DIMENSIONS



## MATERIAL MATRIX

	Soap	Lacquer/Oil	CHS colors	White oil
Beech	●	●	●	
Oak	●	●	●	●
Smoked oak		●		

Oak and ash have a clearly visible wood structure when painted. Beech has minimal structure when painted. Oak is available only in black (NCS S9000-N).

---

**TESTS AND CERTIFICATIONS**

All tests and certificates are available on request.