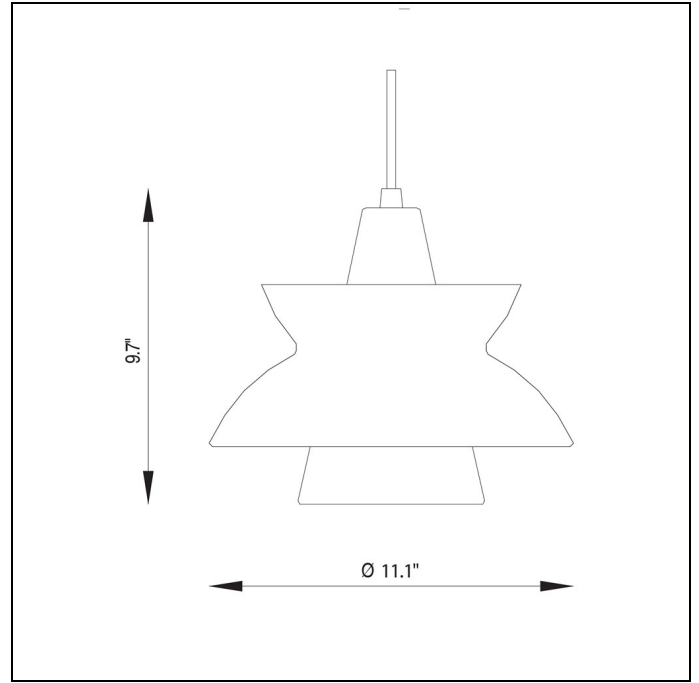


# Doo-Wop



**Design** Louis Poulsen A/S in cooperation with the Navy Buildings Department

**Concept** The fixture primarily provides a downward directed soft light by means of the white lacquered inner conical reflector. The outer reflector, the main shade, contributes to directing the light up- and downwards, while at the same time spreading the soft diffuse light. The inside of the main shade is illuminated through an opening in the inner conical reflector.

**Finish** White, Dark grey, Red, Green, Blue powder coated or Brass.

**Material** Shade: Spun aluminium or spun brass. Suspension: Spun aluminium. Struts: Stainless steel.

**Mounting** Canopy: White. Cord type: 3-conductor, 18 AWG white PVC power cord. Cord length: 12'.

**Weight** Max. 3.3 lbs.

**Label** cULus, dry location.

Product Code	Light source	Voltage	Finish
DOO-WOP	1/22W LED/A-21/medium 1/60W/A-19/IF medium	120V	BLUE BRASS DARK GREY GREEN RED WHITE