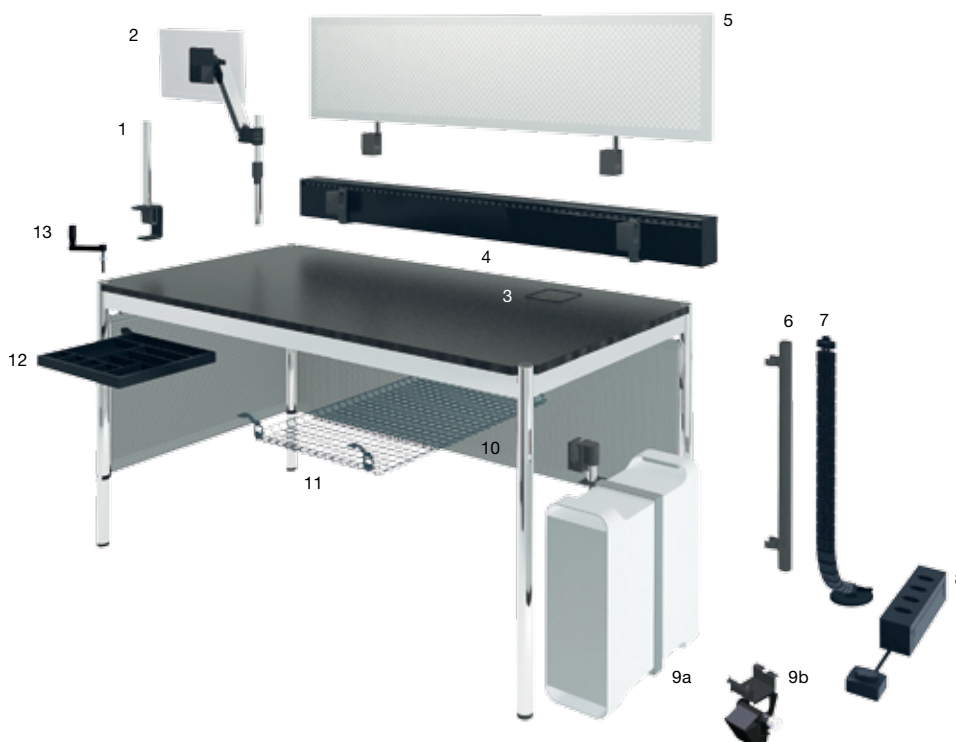


USM Haller Table

Accessories

- 1 **Universal support**
Mounts to the table frame to hold various accessories.
- 2 **Flat screen swing arm**
The flat screen panel attaches to a universal plate (VESA standard) on the swing arm. Height-adjustable, rotating and pivoting swing arm.
- 3 **Grommet hatch for network access**
Hinged cover integrated into the tabletop for easy network access. You can have it integrated at three different points when placing your order.
 - L: 2000
 - L: 1750
 - L: 1500
 - L: 1250
 - L: 1000
 - L: 750
- 4 **Cable duct**
Holds power strips (8) and cables; the cover can be recessed with two top openings. Table depth increases to the EU norm over 800 mm.
Available in the following table lengths
 - L: 2000
 - L: 1750
 - L: 1500
 - L: 1250
 - L: 1000
 - L: 750
- 5 **Metal privacy panel**
Can be attached to the back and the side of the table frame. Can be used to create multiple workstations.
 - L: 2000 / H: 350
 - L: 1750 / H: 350
 - L: 1500 / H: 350
 - L: 1000 / H: 350
 - L: 750 / H: 350
- 6 **Cable guide**
Clips to the table leg. Directs cables to the power source.
- 7 **Link chain**
Holds and directs cables to the power source. Flexible and adjustable to various lengths.
- 8 **Power strip**
Can be configured individually for data and power supply according to country-specific requirements. Available with a 4 m cable or a switch. Mounts to the table frame, attached magnetically or placed in a cable duct.
- 9a **CPU holder**
(For USM Haller glass and granite tables)
Is clamped to the table frame. For CPUs with max. dimensions of 1400 mm and weighing up to 20 kg.
- 9b **CPU holder**
Is screwed to the tabletop. For CPUs with max. dimensions of 1400 mm and weighing up to 20 kg.
- 10 **Front and side panel**
A black mesh fabric can be attached to the back or the side under the table frame.
Available in the following table lengths
 - L: 2000
 - L: 1750
 - L: 1500
 - L: 1250
 - L: 1000
 - L: 750
- 11 **Cable wire basket**
Mounts to the underside of the work surface.
- 12 **Pivoting pen holder**
Provides room for writing instruments and can be discreetly stowed under the table top.
- 13 **Height adjustment**
Manual height adjustment with a removable handle.

All measurements in mm.



**USM Haller Table
Plus / Access / Advanced**
Accessories

1 Flat screen support

Screens are mounted onto the bracket (VESA standard), which can be connected directly to one of the adaptation points. Swivel-type with a spherical joint for the screen.

Options:

1a Mounting at different heights is possible for screens weighing up to 8 kg.*

1b Continuous height adjustment for screens weighing up to 12 kg.*

2 Screen bracket

The bracket is inserted into the adaptation points. Up to two screens can be attached using a mounting plate (VESA standard). Screens can be mounted at different heights; screens can be adjusted with ball joints.*

3 Grommet hatch for network access

Flush hinged cover set into the tabletop for easy network access, available in two sizes and can be positioned at three different locations.

4 USB adapter

The adapter is suitable for USB 2.0 and 3.0 ports; it can easily be inserted into the adaptation point. Usable as power supply or for data transfer.*

5 Lamp peg

An optional lamp peg for easy attachment of traditional table lamps. Electrification is possible through the adaptation point.*

6 Metal privacy panels

Can be attached to the long side to ensure individuality and privacy for people working at tables configured as a block station.*

L: 2000 / H: 350

L: 1750 / H: 350

L: 1500 / H: 350

7 Link chain

Holds and directs cables to the power source. Flexible and adjustable to various lengths.

8 Power strip

Can be configured individually for data and power supply according to country-specific requirements. Available with a 4 m cable or a switch. Magnetically attached into the cable duct.

9 CPU holder

Computers in various sizes can be mounted using a simple holding device under the table.

10 Front and side panel

A black mesh fabric can be attached to the back or the side under the table frame.

Available in the following table lengths

L: 2000

L: 1750

L: 1500

L: 1250

L: 1000

L: 750

11 Cable management

For the Access and Advanced table types, a cable tray integrated under the tabletop offers storage room and attachment opportunities for all cables and technical components. For the traditional USM Haller Table and the USM Haller Table Plus, a cable basket can be attached.

12 Pivoting pen holder

Provides room for writing instruments and can be discreetly stowed under the table top.

13 Height adjustment

Manual height adjustment with a removable handle.

* Suitable for USM Haller Table Plus and Advanced

All measurements in mm.

