

**USM Haller Table**  
System

The basis of the extremely stable USM Haller Tables are the chrome legs and frames. The tabletops are available in various standard sizes, shapes and a selection of sixteen surfaces. The USM Haller table can be used for work, conference or dining. The timeless design and durability complement the USM Haller system. Like the furniture system, the table or table combinations can be custom configured with various accessories for optimal efficiency and function.

**USM Haller Table**

Designed over 45 years ago, the USM Haller Table has become a modern design classic. It harmonizes perfectly with the USM Modular Furniture Haller. Various accessories can be adapted to the table allowing room for further expansion.



**USM Haller Table Plus**

The USM Haller Table Plus has two removable adaptation points that enable various accessories to be quickly and easily mounted and provide for streamlined cabling. For the cabling solution, the adaptation points are removed, the cables are placed in the guide and the adaptation points are reinserted in the tabletop. An additional cable basket can be attached under the tabletop that bundles all cables together and elegantly conceals them.



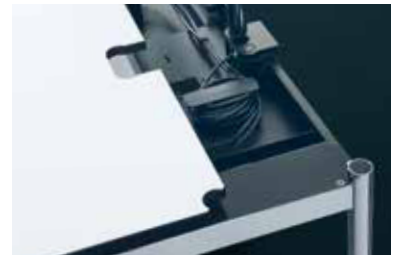
### **USM Haller Table Access**

The USM Haller Table Access is the ideal solution for conference and meeting situations as well as for workplaces in the home. The tabletop slides away to allow access to the integrated cable tray, which offers a generous amount of storage space and attachment options for cabling. For daily access to the most important connections, an additional grommet hatch can also be installed in the table surface.



### **USM Haller Table Advanced**

In addition to the permanently attached adaptation points, the Advanced version also offers a sliding top. The tabletop slides forward to allow access to the cable tray, with storage space and attachment options for wiring. Accessories attached to the adaptation points as well as all objects on the table do not have to be removed to access the cable tray.

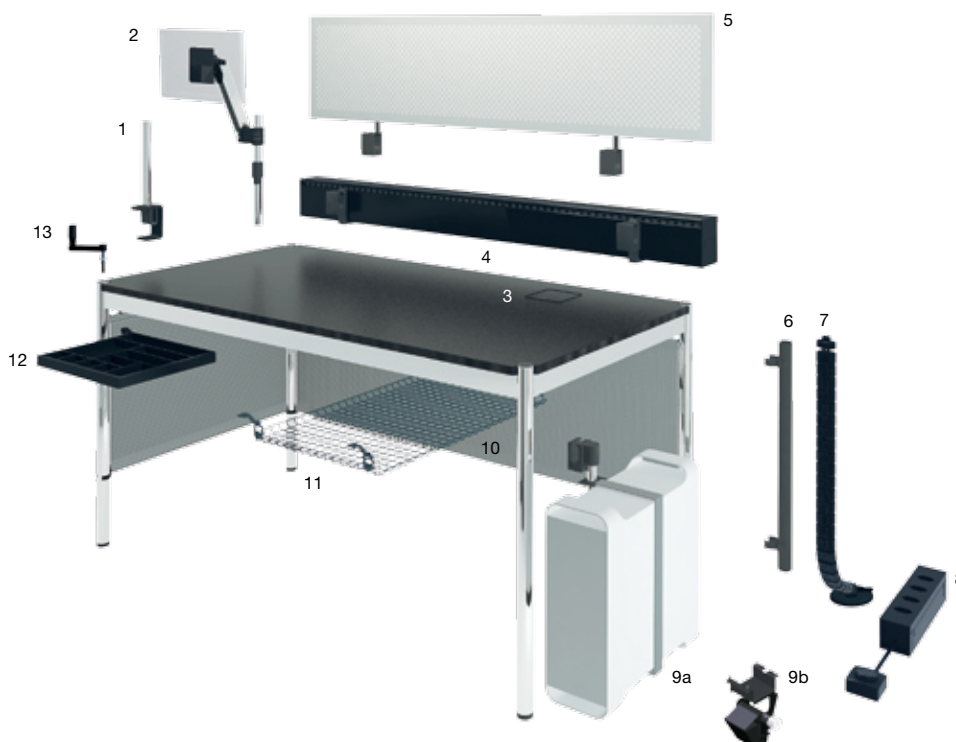


## USM Haller Table

### Accessories

- 1 **Universal support**  
Mounts to the table frame to hold various accessories.
- 2 **Flat screen swing arm**  
The flat screen panel attaches to a universal plate (VESA standard) on the swing arm. Height-adjustable, rotating and pivoting swing arm.
- 3 **Grommet hatch for network access**  
Hinged cover integrated into the tabletop for easy network access. You can have it integrated at three different points when placing your order.
  - L: 2000
  - L: 1750
  - L: 1500
  - L: 1250
  - L: 1000
  - L: 750
- 4 **Cable duct**  
Holds power strips (8) and cables; the cover can be recessed with two top openings. Table depth increases to the EU norm over 800 mm.  
  
Available in the following table lengths
  - L: 2000
  - L: 1750
  - L: 1500
  - L: 1250
  - L: 1000
  - L: 750
- 5 **Metal privacy panel**  
Can be attached to the back and the side of the table frame. Can be used to create multiple workstations.
  - L: 2000 / H: 350
  - L: 1750 / H: 350
  - L: 1500 / H: 350
  - L: 1000 / H: 350
  - L: 750 / H: 350
- 6 **Cable guide**  
Clips to the table leg. Directs cables to the power source.
- 7 **Link chain**  
Holds and directs cables to the power source. Flexible and adjustable to various lengths.
- 8 **Power strip**  
Can be configured individually for data and power supply according to country-specific requirements. Available with a 4 m cable or a switch. Mounts to the table frame, attached magnetically or placed in a cable duct.
- 9a **CPU holder**  
(For USM Haller glass and granite tables)  
Is clamped to the table frame. For CPUs with max. dimensions of 1400 mm and weighing up to 20 kg.
- 9b **CPU holder**  
Is screwed to the tabletop. For CPUs with max. dimensions of 1400 mm and weighing up to 20 kg.
- 10 **Front and side panel**  
A black mesh fabric can be attached to the back or the side under the table frame.  
  
Available in the following table lengths
  - L: 2000
  - L: 1750
  - L: 1500
  - L: 1250
  - L: 1000
  - L: 750
- 11 **Cable wire basket**  
Mounts to the underside of the work surface.
- 12 **Pivoting pen holder**  
Provides room for writing instruments and can be discreetly stowed under the table top.
- 13 **Height adjustment**  
Manual height adjustment with a removable handle.

All measurements in mm.





**USM Haller Table  
Plus / Access / Advanced**  
Accessories

**1 Flat screen support**

Screens are mounted onto the bracket (VESA standard), which can be connected directly to one of the adaptation points. Swivel-type with a spherical joint for the screen.

Options:

1a Mounting at different heights is possible for screens weighing up to 8 kg.\*

1b Continuous height adjustment for screens weighing up to 12 kg.\*

**2 Screen bracket**

The bracket is inserted into the adaptation points. Up to two screens can be attached using a mounting plate (VESA standard). Screens can be mounted at different heights; screens can be adjusted with ball joints.\*

**3 Grommet hatch for network access**

Flush hinged cover set into the tabletop for easy network access, available in two sizes and can be positioned at three different locations.

**4 USB adapter**

The adapter is suitable for USB 2.0 and 3.0 ports; it can easily be inserted into the adaptation point. Usable as power supply or for data transfer.\*

**5 Lamp peg**

An optional lamp peg for easy attachment of traditional table lamps. Electrification is possible through the adaptation point.\*

**6 Metal privacy panels**

Can be attached to the long side to ensure individuality and privacy for people working at tables configured as a block station.\*

L: 2000 / H: 350

L: 1750 / H: 350

L: 1500 / H: 350

**7 Link chain**

Holds and directs cables to the power source. Flexible and adjustable to various lengths.

**8 Power strip**

Can be configured individually for data and power supply according to country-specific requirements. Available with a 4 m cable or a switch. Magnetically attached into the cable duct.

**9 CPU holder**

Computers in various sizes can be mounted using a simple holding device under the table.

**10 Front and side panel**

A black mesh fabric can be attached to the back or the side under the table frame.

Available in the following table lengths

L: 2000

L: 1750

L: 1500

L: 1250

L: 1000

L: 750

**11 Cable management**

For the Access and Advanced table types, a cable tray integrated under the tabletop offers storage room and attachment opportunities for all cables and technical components. For the traditional USM Haller Table and the USM Haller Table Plus, a cable basket can be attached.

**12 Pivoting pen holder**

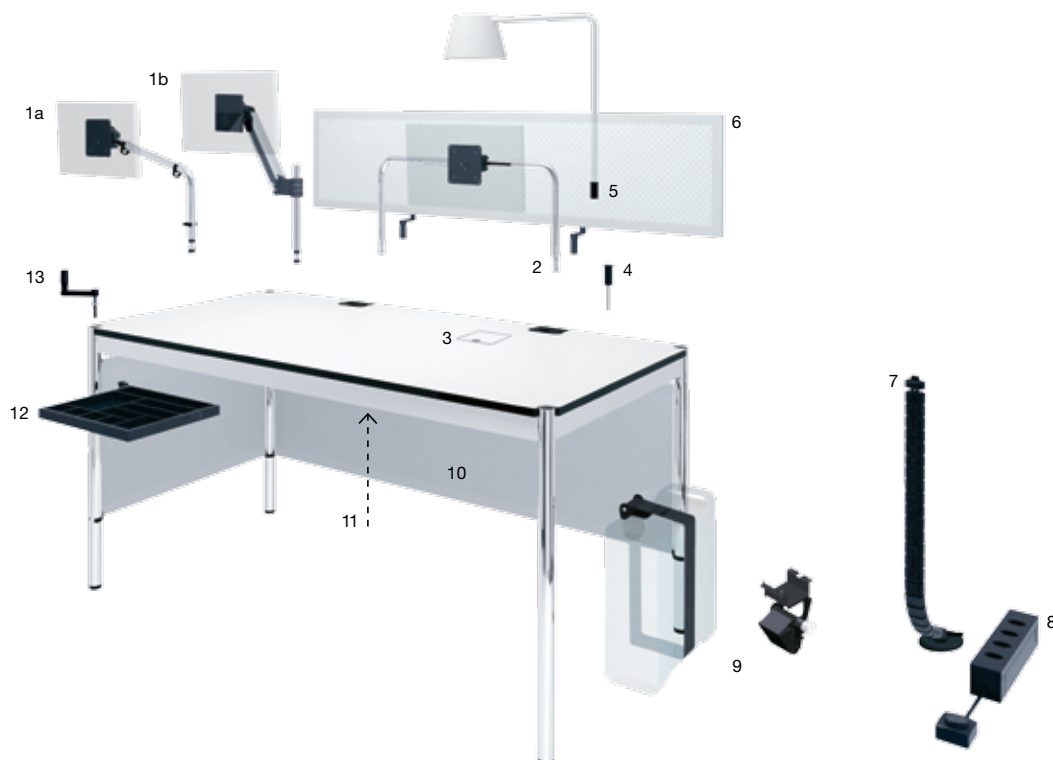
Provides room for writing instruments and can be discreetly stowed under the table top.

**13 Height adjustment**

Manual height adjustment with a removable handle.

\* Suitable for USM Haller Table Plus and Advanced

All measurements in mm.





## USM Haller Table

### Measurements

#### 1 USM Haller Table Rectangular

Available in all USM Haller tabletop surfaces in the following sizes

L: 2000 / D: 1000 / H: 740  
 L: 2000 / D: 750 / H: 740  
 L: 1750 / D: 1000 / H: 740  
 L: 1750 / D: 750 / H: 740  
 L: 1500 / D: 1000 / H: 740  
 L: 1500 / D: 750 / H: 740  
 L: 1250 / D: 750 / H: 740  
 L: 1250 / D: 750 / H: 370

Available in the USM Haller tabletop surfaces laminate, MDF, linoleum and wood in the following sizes

L: 3000 / D: 1000 / H: 740  
 L: 3000 / D: 750 / H: 740  
 L: 2500 / D: 1000 / H: 740  
 L: 2500 / D: 750 / H: 740  
 L: 2250 / D: 1000 / H: 740  
 L: 2250 / D: 750 / H: 740

Continuous height adjustment  
 H: 680 to 860

Available in the USM Haller tabletop surfaces laminate, MDF, linoleum and wood in the following sizes

L: 2500 / D: 1000  
 L: 2500 / D: 750  
 L: 2250 / D: 1000  
 L: 2250 / D: 750  
 L: 2000 / D: 1000  
 L: 2000 / D: 750  
 L: 1750 / D: 1000  
 L: 1750 / D: 750  
 L: 1500 / D: 1000  
 L: 1500 / D: 750  
 L: 1250 / D: 750

#### 2 USM Haller Table Square

Available in all USM Haller tabletop surfaces in the following sizes



1

L: 1000 / D: 1000 / H: 740  
 L: 1000 / D: 1000 / H: 370  
 L: 750 / D: 750 / H: 740  
 L: 750 / D: 750 / H: 370

#### 3 USM Haller Table Trapezoid

Available in the USM Haller tabletop surfaces laminate, MDF, linoleum and wood in the following sizes

L: 2000/1040 / D: 1000 / H: 740  
 L: 1750/1040 / D: 750 / H: 740  
 L: 1750/790 / D: 1000 / H: 740  
 L: 1500/790 / D: 750 / H: 740

#### 4 USM Haller Table Triangle

Available in the USM Haller tabletop surfaces laminate, MDF, linoleum and wood in the following sizes

L: 1000/1415 / D: 1000 / H: 740  
 L: 1000/1000 / D: 1000 / H: 740  
 L: 750/1060 / D: 750 / H: 740  
 L: 750/750 / D: 750 / H: 740

#### 5 USM Haller Table Plus

Available in the USM Haller tabletop surfaces laminate, MDF, linoleum and wood in the following sizes

L: 3000 / D: 1000 / H: 740  
 L: 3000 / D: 750 / H: 740  
 L: 2000 / D: 1000 / H: 740  
 L: 2000 / D: 750 / H: 740  
 L: 1750 / D: 1000 / H: 740  
 L: 1750 / D: 750 / H: 740  
 L: 1500 / D: 1000 / H: 740  
 L: 1500 / D: 750 / H: 740  
 L: 1250 / D: 750 / H: 740

Continuous height adjustment  
 H: 680 to 860

Available in the USM Haller tabletop surfaces laminate, MDF, linoleum and wood in the following sizes



2

L: 2000 / D: 1000  
 L: 2000 / D: 750  
 L: 1750 / D: 1000  
 L: 1750 / D: 750  
 L: 1500 / D: 1000  
 L: 1500 / D: 750  
 L: 1250 / D: 750

#### 6 USM Haller Table Access

Available in the USM Haller tabletop surfaces laminate, MDF, linoleum and wood in the following sizes

L: 2000 / D: 1000 / H: 740  
 L: 2000 / D: 750 / H: 740  
 L: 1750 / D: 1000 / H: 740  
 L: 1750 / D: 750 / H: 740  
 L: 1500 / D: 1000 / H: 740  
 L: 1500 / D: 750 / H: 740  
 L: 1250 / D: 750 / H: 740

Continuous height adjustment  
 H: 680 to 860

Available in the USM Haller tabletop surfaces laminate, MDF, linoleum and wood in the following sizes

L: 2000 / D: 1000  
 L: 2000 / D: 750  
 L: 1750 / D: 1000  
 L: 1750 / D: 750  
 L: 1500 / D: 1000  
 L: 1500 / D: 750  
 L: 1250 / D: 750



3



4

#### 7 USM Haller Table Advanced

Available in the USM Haller tabletop surfaces laminate, MDF, linoleum and wood in the following sizes

L: 2000 / D: 1000 / H: 740  
 L: 2000 / D: 750 / H: 740  
 L: 1750 / D: 1000 / H: 740  
 L: 1750 / D: 750 / H: 740  
 L: 1500 / D: 1000 / H: 740  
 L: 1500 / D: 750 / H: 740  
 L: 1250 / D: 750 / H: 740

Continuous height adjustment  
 H: 680 to 860

Available in the USM Haller tabletop surfaces laminate, MDF, linoleum and wood in the following sizes

L: 2000 / D: 1000  
 L: 2000 / D: 750  
 L: 1750 / D: 1000  
 L: 1750 / D: 750  
 L: 1500 / D: 1000  
 L: 1500 / D: 750  
 L: 1250 / D: 750



5



6



7

All measurements in mm.  
 USM Haller tabletop surfaces see page 39.





## Colors

USM Haller

### Metal



This thin rolled steel plate comes with a polyurethane powder coating that is available in 14 classic colours. The completely solvent-free powder coating is produced in USM's own production facility in Switzerland.



Pure white  
RAL 9010



Light gray  
RAL 7035



USM matte silver



Mid-gray  
RAL 7005



Anthracite  
RAL 7016



Graphite black  
RAL 9011



Steel blue  
RAL 5011



Gentian blue  
RAL 5010



USM green



Golden yellow  
RAL 1004



Pure orange  
RAL 2004



USM ruby red



USM brown



USM beige

USM Inos accessories are available in graphite black and light gray.

## Surfaces & colors

USM Haller Table / USM Kitos Table

### Powdercoated MDF



The medium-density fibreboard (MDF) is made of natural materials and comes with a 0,2 mm powder coating which gives it a thorough overall seal. The result is a robust, scratch- and impact-resistant surface. The colours perfectly match the furniture colours.



Pure white  
RAL 9010



Light gray  
RAL 7035



USM matte silver



Mid-gray  
RAL 7005



Anthracite  
RAL 7016



Graphite black  
RAL 9011

### Back lacquered clear glass



The entire underside of the high-gloss table surface is lacquered in one of the 14 USM Haller colours. The extra-white float glass brings out the colours beautifully and powerfully.



Steel blue  
RAL 5011



Gentian blue  
RAL 5010



USM green



Golden yellow  
RAL 1004



Pure orange  
RAL 2004



USM ruby red



USM brown



USM beige

The surfaces in glass are available for USM Haller Table (classic) to L: 2000 mm and all USM Kitos tables (classic) with fixed height (H: 740 mm) resp. incremental height adjustment and continuous height adjustment (H: 680 to 1300 mm).

## Surfaces & colors

USM Haller Table / USM Kitos Table

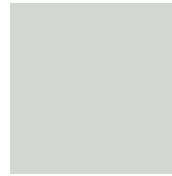
### Back lacquered etched glass



These translucent tabletops with their silky sheen are a real eye-catcher. The extra white float glass is given a coat of paint covering the entire underside.



Pure white  
RAL 9010



Light gray  
RAL 7035



Mid-gray  
RAL 7005



Anthracite  
RAL 7016

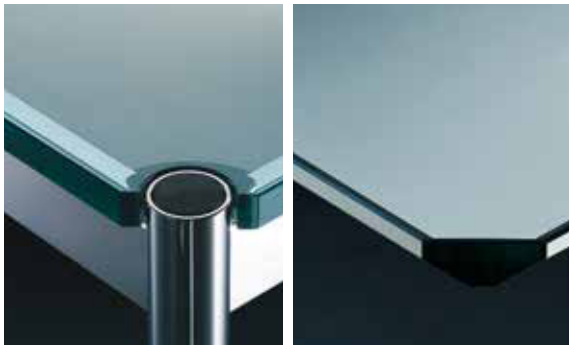


Graphite black  
RAL 9011



Steel blue  
RAL 5011

### Transparent glass



This is a real classic. The solid float glass, made of quartz sand, limestone, dolomite and soda, looks like a thin sheet of ice suspended in the air. Its homogeneous, smooth surface is particularly resistant to all forms of damage.

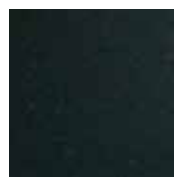


Transparent glass

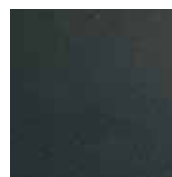
### Granite



These two types of granite, Serizzo formazza and Nero Assoluto, are medium to fine-grained and available with an impregnated, polished or matte surface. Serizzo formazza has a bright, dynamic look thanks to its pale underground and irregular black inclusions, while Nero Assoluto gives an air of elegance and grace with its fine-grained deep black coloration.



Assoluto Polished  
Black granite



Assoluto Matte  
Black granite <sup>1</sup>



Serizzo Polished  
Grey granite <sup>1</sup>



Serizzo Matte  
Grey granite <sup>1</sup>

## Linoleum <sup>1</sup>



Linoleum is characterised by an agreeable warm feel thanks to the use of natural components and other sustainable materials such as linseed oil or wood floor. It is also slightly elastic and has antistatic properties that keep it dust-free.



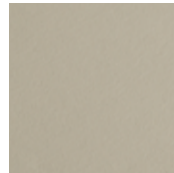
Ash Linoleum <sup>1</sup>



Charcoal Linoleum <sup>1</sup>



Black Linoleum



Pebble Linoleum <sup>1</sup>

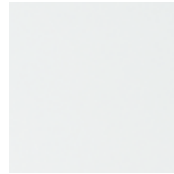


Mauve Linoleum <sup>1</sup>

## Laminate



Laminate surfaces are extremely resistant to wear, denting and scratching. This type of material is characterised by a black border all the way round the table.



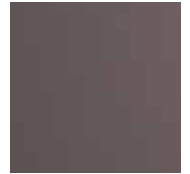
Pearl gray laminate



Pastel gray laminate <sup>1</sup>

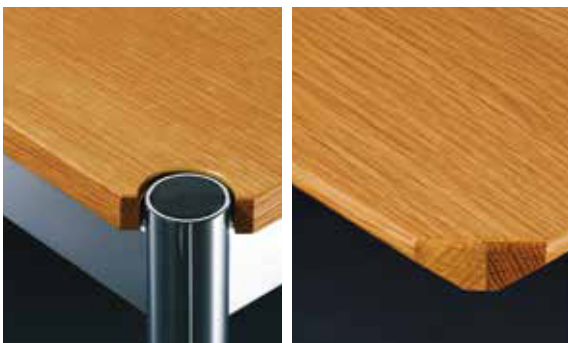


Light mid-gray laminate <sup>1</sup>



Dark warm gray laminate <sup>1</sup>

## Oiled and lacquered veneer



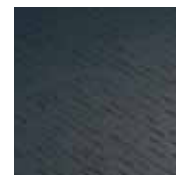
The oiled tabletops look very impressive with their high-quality matt finish. Treatment with natural oil nicely brings out the natural grain of wood. The lacquered tabletops have been treated with a water-based paint giving them a slightly glossy look and making the wood more resistant to knocks.



Natural lacquered oak veneer



Natural lacquered beech veneer



Black lacquered oak veneer



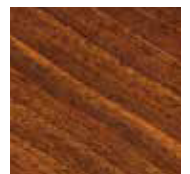
White oiled oak veneer <sup>1</sup>



Natural oiled oak veneer <sup>1</sup>



Brown oiled oak veneer <sup>1</sup>



Natural oiled walnut veneer <sup>1</sup>

<sup>1</sup> Colour designations according to the Forbo Desktop colour range.

The surfaces in glass and granite are available for USM Haller Table (classic) to L: 2000 mm and all USM Kitos tables (classic) with fixed height (H: 740 mm) resp. incremental height adjustment and continuous height adjustment (H: 680 to 1300 mm).