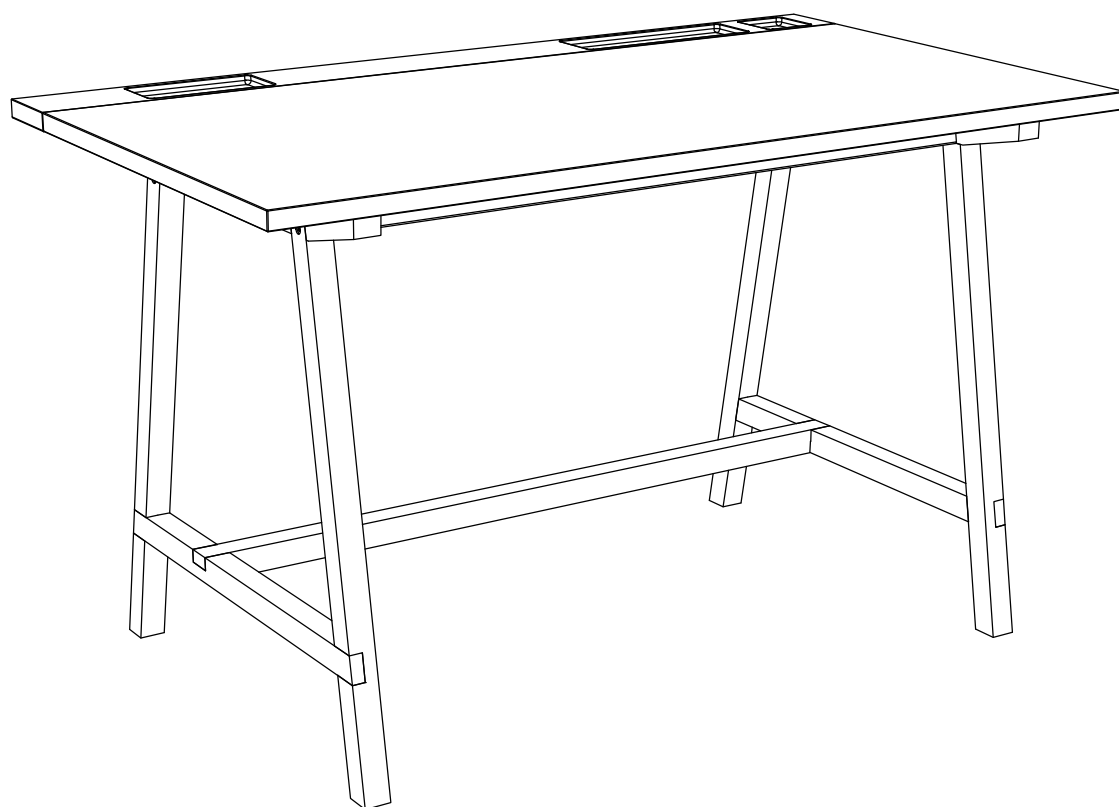
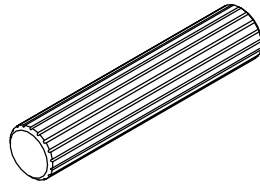


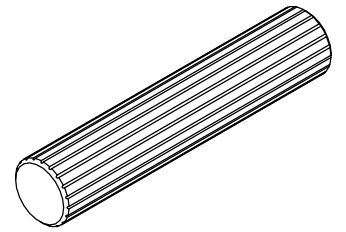
# ÅNDERSEN

DESIGN SINCE 1916

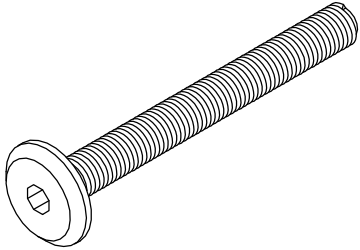




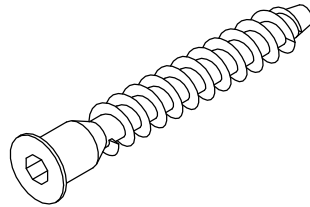
9-1547  
6 pcs.



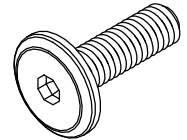
9-1554  
4 pcs.



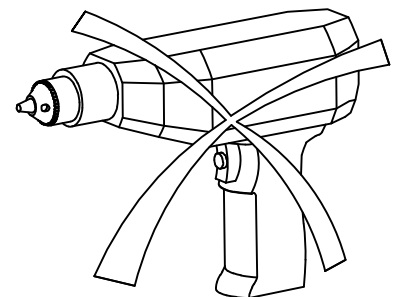
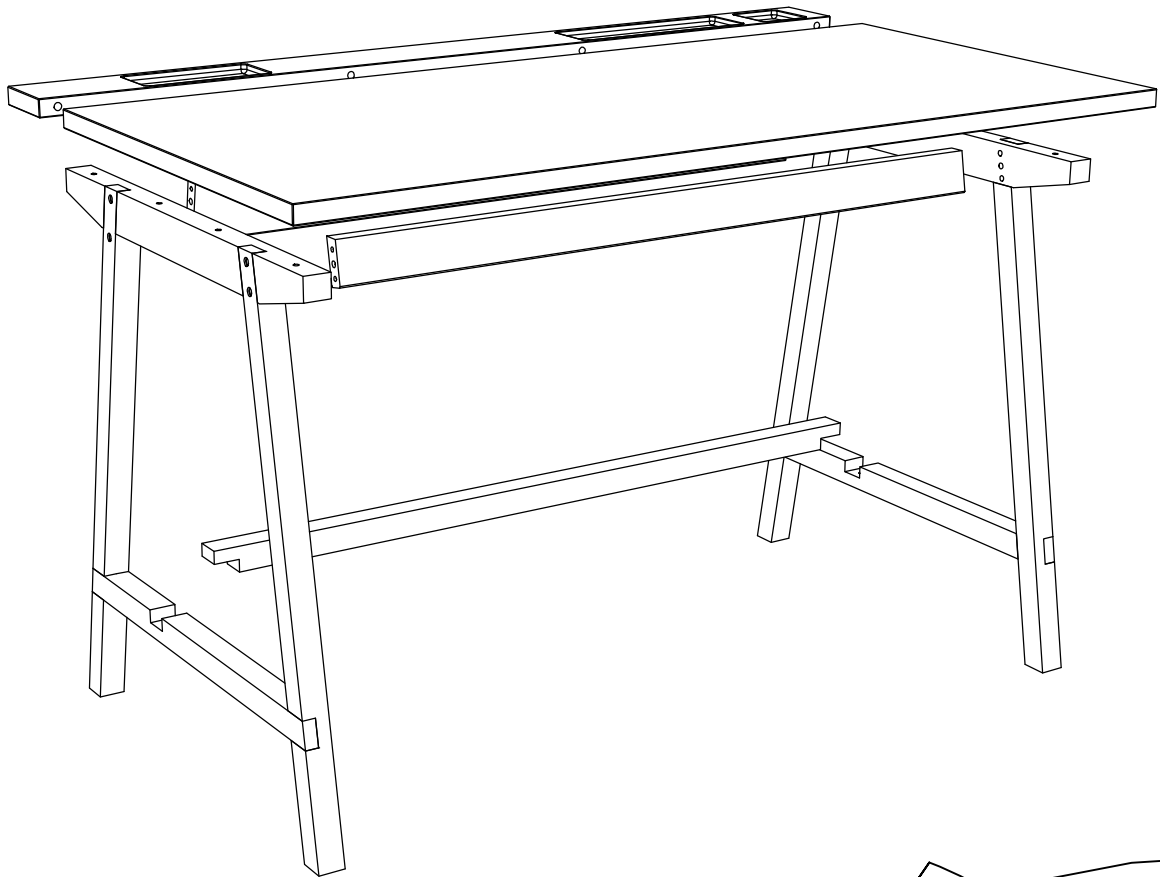
9-1975  
8 pcs.



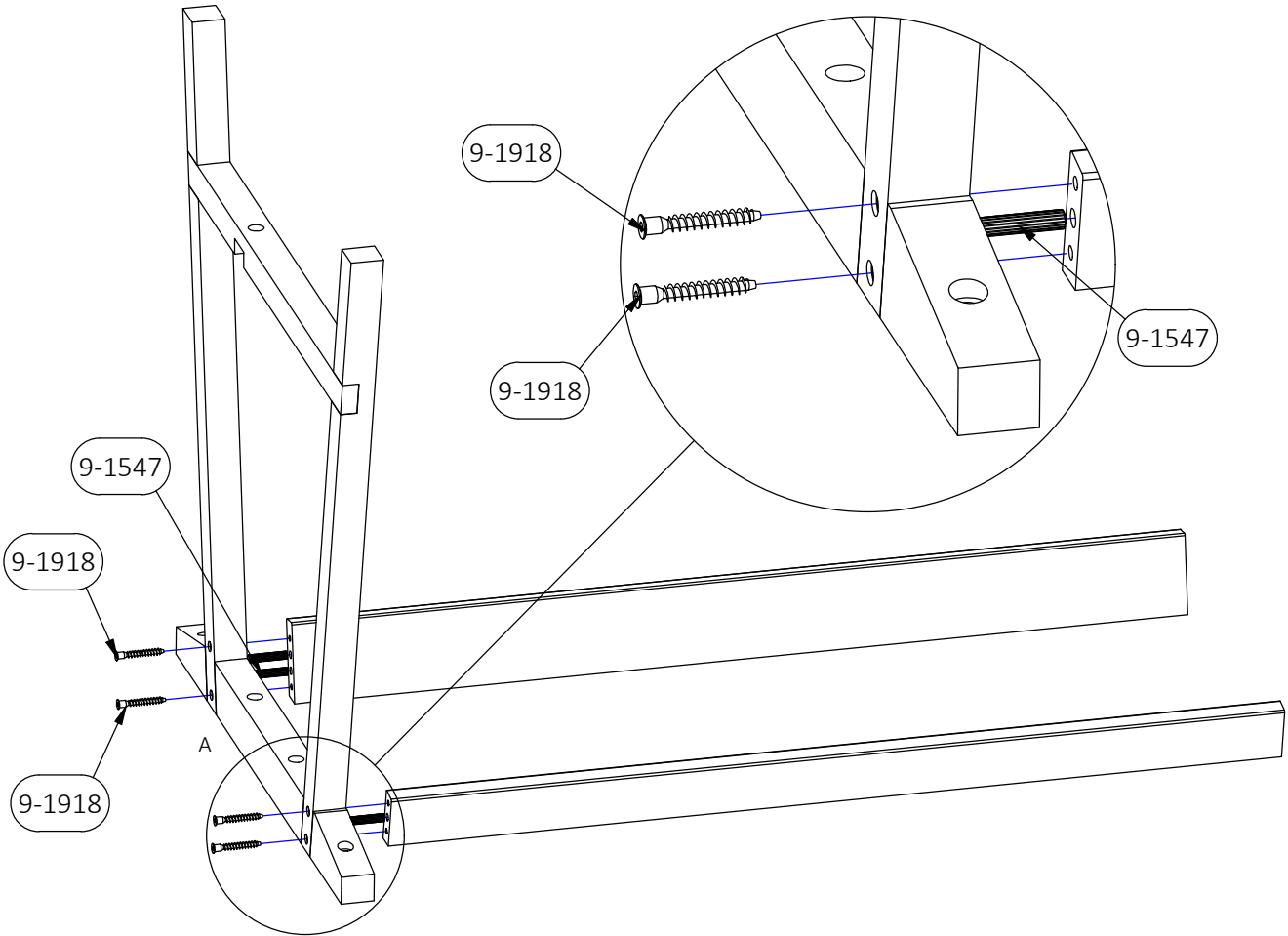
9-1918  
8 pcs.



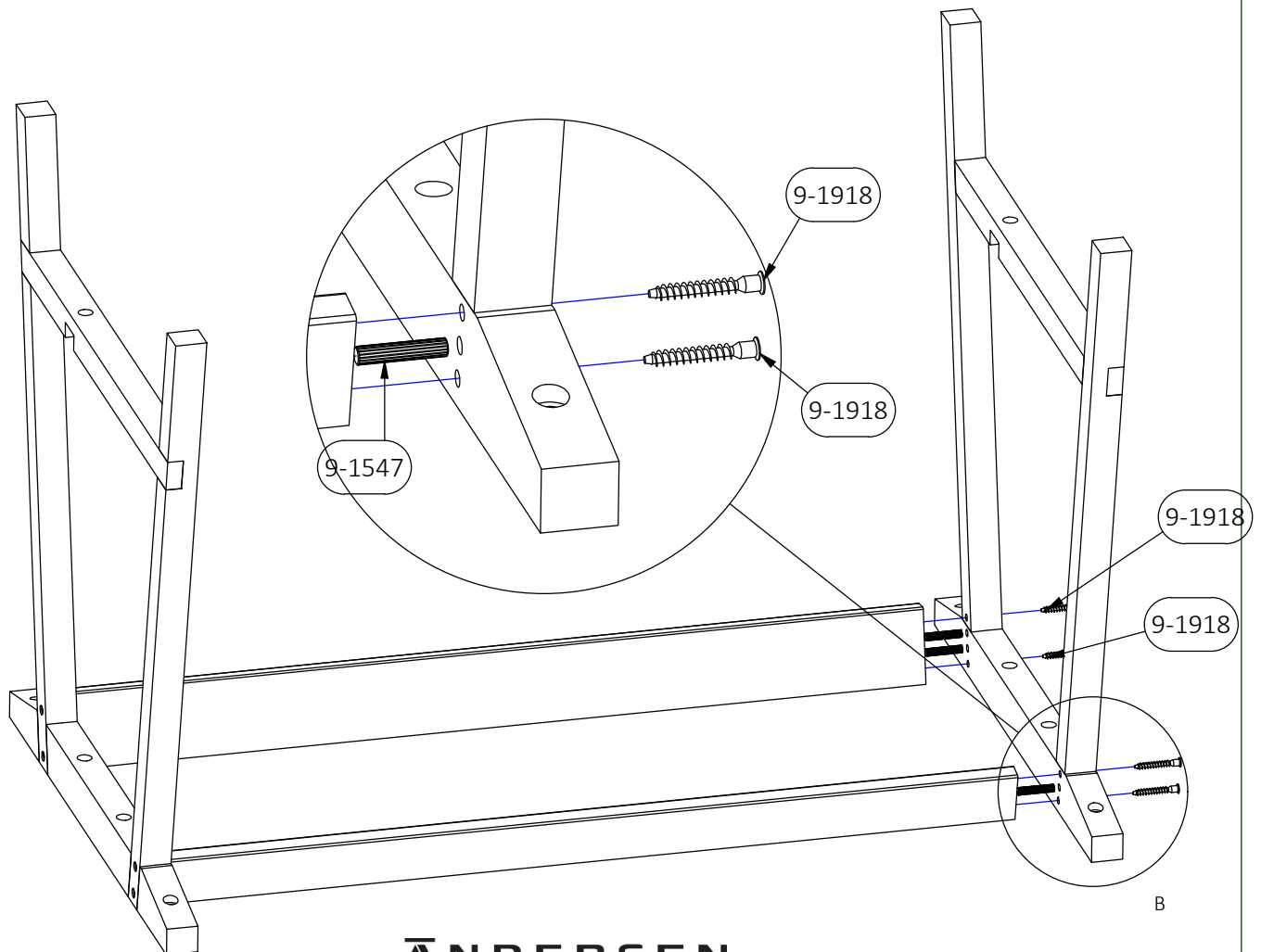
9-1923  
2 pcs.



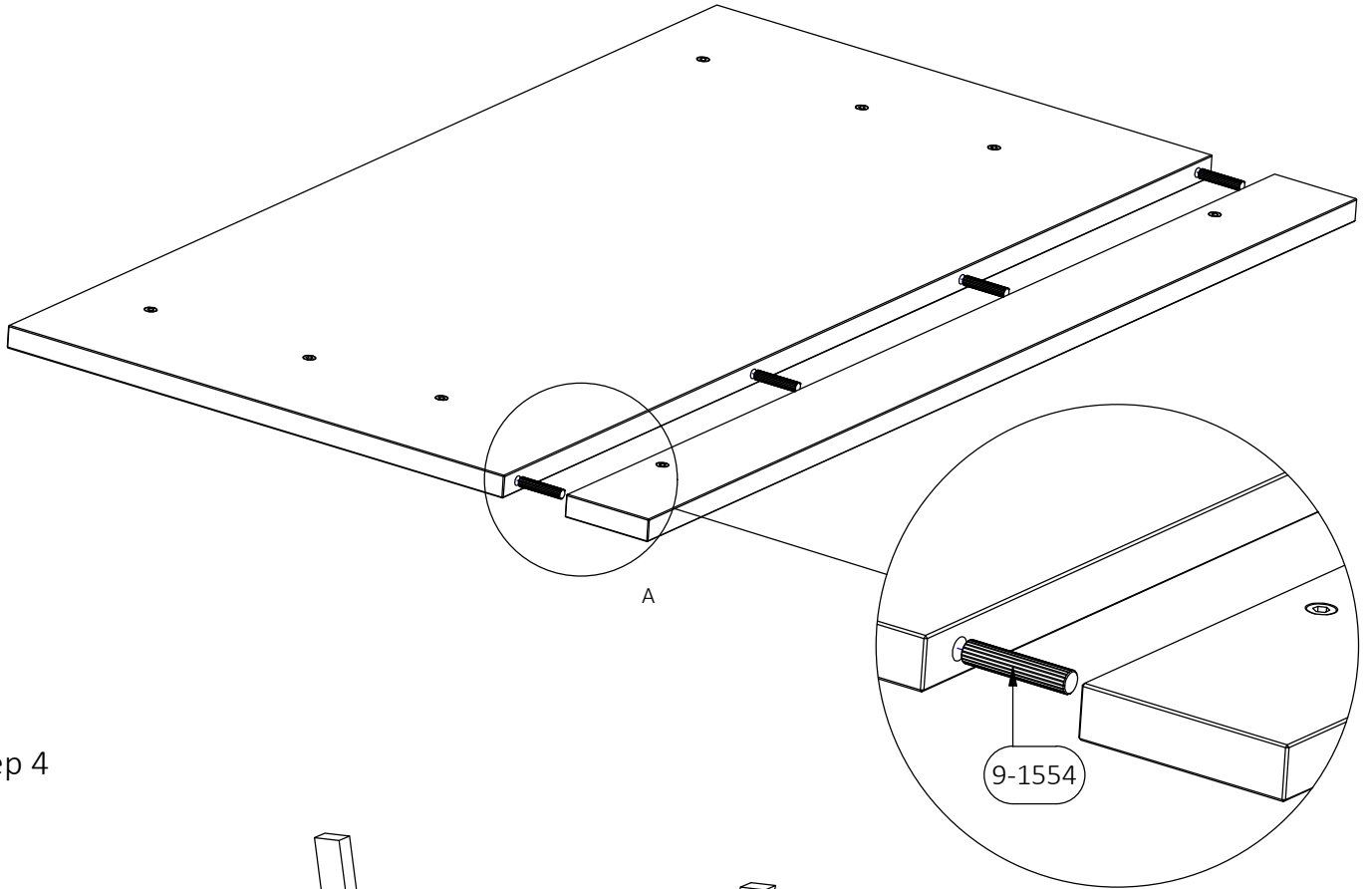
Step 1



Step 2



Step 3



Step 4

