

Demetra Micro Table



DESIGN:

Naoto Fukasawa

MATERIAL:

Head and base in die-cast aluminum, arm in extruded aluminum

BESCHREIBUNG:

Demetra micro, in the table and wall version with arm, offers the same freedom of the traditional version, i.e. utmost flexibility in directing light across space. While its power and flow are just slightly reduced compared to the classical version, it has all the same pluses in terms of operation and lighting performance. warm light tone very high Cri 90 light quality maximum performance Dimmable with microswitch located on the appliance's head, it emits warm light with a very high colour yield (Cri 90) Its dimension is therefore minimized to fit into the smallest spaces and to expand the range of potential applications of the entire Demetra family, ideal for work and hospitality locations, as well as for home use.

AUSWAHL

- LED ▼
- Struktur ▼
- Polished black ▼

ARTIKELNUMMER

1747040A

Lichtverteilung

IP20

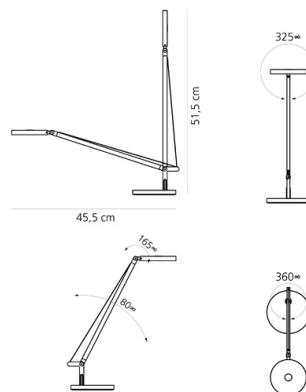
Dimmable

TECHNISCHES DATENBLATT

FUNKTIONEN

Produktname: Demetra Micro Table
 Artikelnummer: 1747040A
 Farbe: Polished black
 Material: Head and base in die-cast aluminum, arm in extruded aluminum
 Serie: Design
 Anwendungsbereich: Innenbeleuchtung

DIMENSION



OPTIK

Lichtverteilung: Direct

DIMENSION

Länge: cm 13
 Breite: cm 12
 Höhe: cm 14
 Breite: cm 10
 Durchmesser Fuß: cm 12
 Max Erweiterungsänge: cm 51
 Max Erweiterungsbreite: cm 48
 Glühdrathtest: 750 °

FARBE



INKLUSIVE LEUCHTMITTEL

Kategorie: LED
 Anzahl: 1
 Watt: 6W
 Lichtstrom (lm): 257lm
 Farbtemperatur(K): 2700K
 Baureihe: A

LUMINAIR

Watt: 6W
 Lichtstrom(lm): 257lm
 CCT: 2700K
 Efficiency: 49%
 Efficacy: 43lm/W
 CRI: 90

