

PRODUCT DATA SHEET

Demetra Professional - Body


DESIGN BY:

Naoto Fukasawa

MATERIALS:

Head and base in die-cast aluminum, arm in extruded aluminum

DESCRIPTION:

The Demetra family is expanded with two new versions to meet varying usage requirements: Demetra Micro and Demetra Professional. While flow emission varies in Demetra Professional, its size is identical to the classical version. It was designed to address the need for a task light with greater flows allowing to obtain high illuminance on the working top. With the advanced LED technology and the adoption of smart elementary solutions, maximum performance is ensured in a minimal product. Its look is the typical essential and linear one of Demetra, but its head is a more complex optical device, designed for more powerful LEDs also through painstaking study of thermal science. The aluminium bottom of the head's body works as a heatsink by taking shape and folding inside the head to accommodate the LED, however without contact and therefore without creating a heat bridge with the top. This allows maximum dissipation, and therefore the use of a high-power COB LED, without affecting its functionality deriving from operation and from direct user relation with the lamp. The top of its head can be safely touched without contact with high temperatures. Emission is controlled by a reflector that slightly protrudes from the head's profile and designs perfect illuminance on the top to create a work station with a high colour yield (Cri 90). The Demetra family becomes more complete to satisfy all the needs of different application fields with flexible and comprehensive solutions, as well as with specific and dedicated ones.

SELECT

LED

Polished black

PRODUCT CODE

1739040A

Light emission

IP20

Dimmable

TECHNICAL DATA SHEET
FEATURES

Product name:	Demetra Professional - Body
Article Code:	1739040A
Colour:	Polished black
Material:	Head and base in die-cast aluminum, arm in extruded aluminum
Series:	Design
Environment:	Indoor

OPTICS

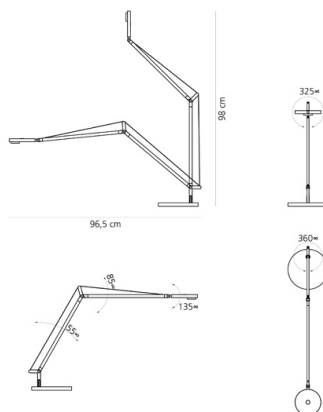
Emission:	Direct
-----------	--------

DIMENSIONS

Length:	cm 31
Width:	cm 20
Height:	cm 35
Base Diameter:	cm 20
Max Extension Height:	cm 102
Max Extension Length:	cm 100

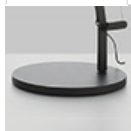
LAMPS INCLUDED

Category:	LED COB
Number:	1
Watt:	12 W
Luminous Flux (lm):	960lm
Color temperature (K):	3000 K
Class:	A

DIMENSIONS

COLOUR


Watt:	12 W
Luminous Flux (lm):	960 lm
CCT:	3000 K
Efficiency:	84 %
Efficacy:	80 lm/W
CRI:	90

ACCESSORIES



Demetra LED T Base NRO
1733040A



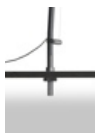
Demetra Supporto W NRO
1742040A



Demetra Morsetto NRO
1744040A



Demetra Supporto F NRO
1741040A



Demetra Supporto T Fisso
NRO 1743040A