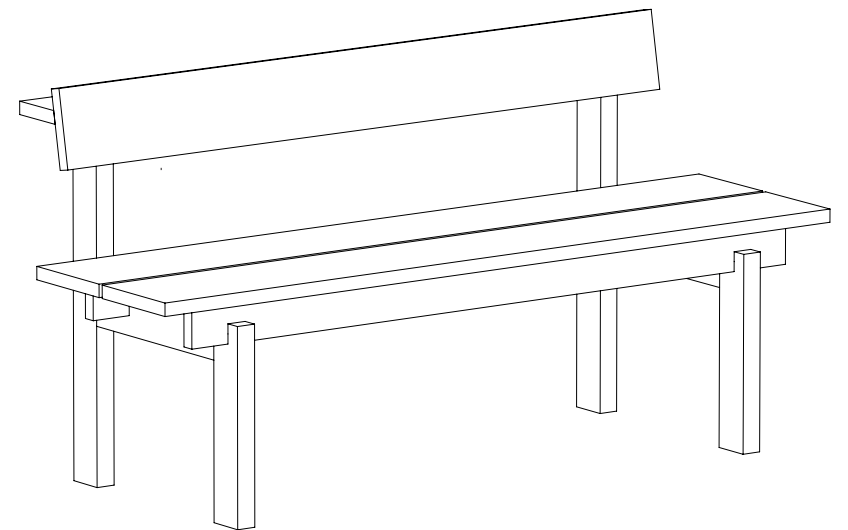


PEKA BENCH

ASSEMBLY MANUAL

fermliving.com

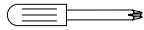


ferm
L I V I N G

NEEDED FOR ASSEMBLING



Two people



1 x screwdriver in size PZ2

A rug/towel to protect the bench when placing it on the ground



4 x long wooden screws



2 x machine screws



7 x small wooden screws



1 x Hex key



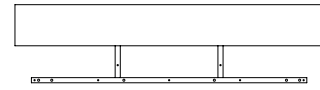
2 x set screws



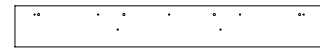
2 x bolts



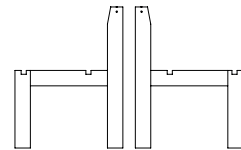
1 x backrest with shelf



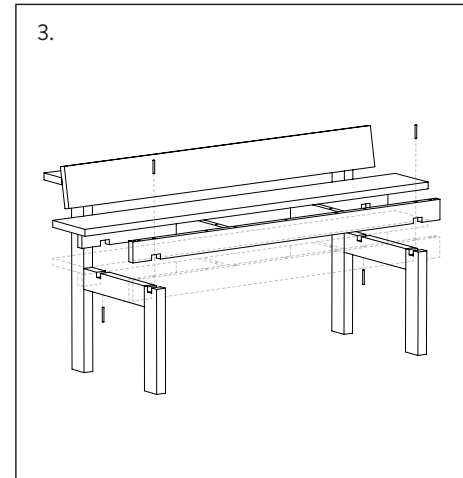
1 x seat *Part A*



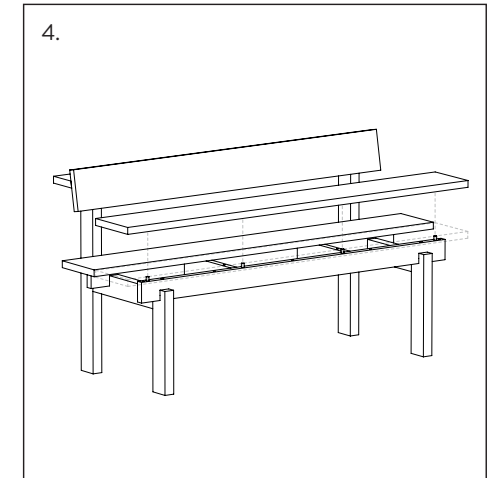
1 x seat *Part B*



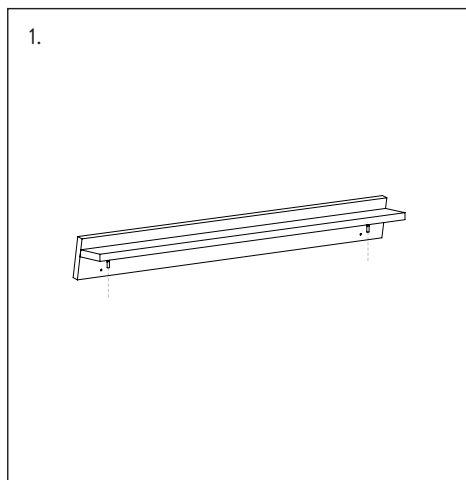
2 x legs



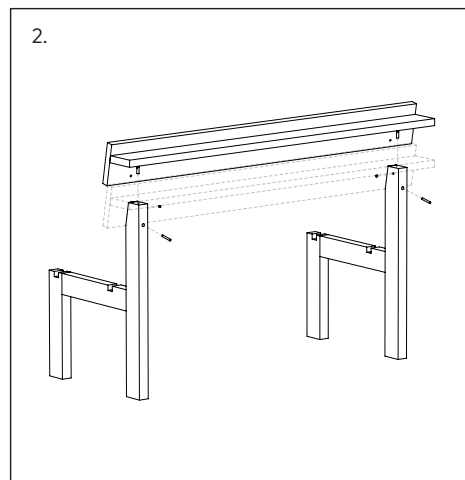
3. Attach seat - *Part A* using two of the long wooden screws.



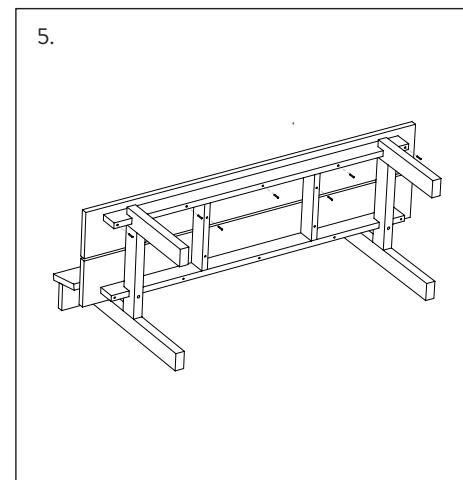
4. Attach seat - *Part B* using two of the long wooden screws. Make sure to match up the protruding dowels with the indentations in seat - *Part B*.



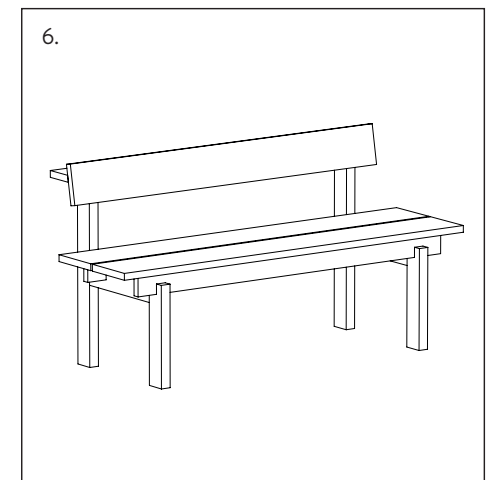
1. Mount the two bolts onto the underside of the backrest's shelf.



2. Place the two legs upright. Attach the backrest using both of set screws and both of the machine screws.



5. Spread out a rug/towel on the ground to protect the bench. Then, carefully place the Peka Bench on its back. Attach all seven of the small wooden screws into the corresponding holes on the underside of the seat.



6. The Peka Bench is now ready for use.