

FIFTY-FIFTY

Design by Sam Weller



Named Fifty-Fifty after the lamp's counterweight system that creates equilibrium between the two parts, it is clear to see how Sam Weller's references to physics and engineering influence the design. Based on the idea of stripping a multi-purpose task light to its fundamental elements, Fifty-Fifty balances refined, pared-back aesthetics with optimal functionality.

Configurable aluminium components minimise the overall complexity of the design and manufacturing process, creating a feature of the joints and mechanisms that is consistent throughout the entire series. The single cantilever arm is easy to tilt and pivot with one hand, featuring a touch-sensitive dimmer switch for precisely positioning and

controlling the light source. The collection comprises lamps with weighted bases in large and small sizes, a large table lamp with clamp base and a floor lamp. Suitable for shared or private areas in homes or corporate environments.

PRODUCT DETAILS

- / Part of a progressive and technologically advanced lighting collection.
- / A family of multifunctional task lamps that can be used free standing, on a desk, clamped to a surface or floor standing.
- / Integrated LED module included with an estimated life span of 25,000 hours of use.
- / CE compliant.
- / Integrated touch step dimmer switch.
- / Table and floor lamps suitable for both private and office environments.
- / Qualified for contract use as a task light.

HAY

MATERIAL

LAMP BODY / extruded aluminium arms with die cast aluminium joints and head.

LAMP BASE / die cast aluminium with internal sand cast iron counter weight. Powder coated steel base plate with foam pad protector.

FLOOR LAMP BASE / Extruded aluminium tube with die cast aluminium inserts. Machined steel plate base plate with foam pad protector.

CORD / Silicon cable.

COLOUR & FINISH

Please note that the colour codes are indicative.

Available in 2 different colours

/ Signal Black (RAL 9004)

/ Ash Grey (RAL 7035)

Please note that interaction points are indicated by the use of colour Pure Orange RAL 2004 and fixings, soft TPE components and the cable are black for all colour options.

COLOUR OPTIONS



SIGNAL BLACK



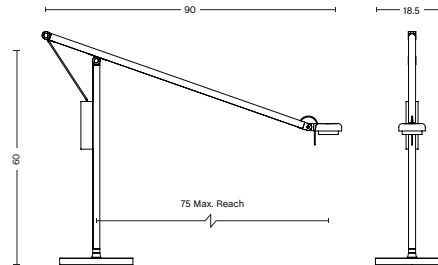
ASH GREY



HAY

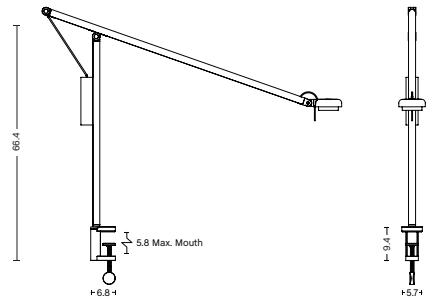
DIMENSIONS / TABLE LAMP WITH TABLE BASE

- / WIDTH 18.5 cm /
- / DEPTH 90 cm /
- / HEIGHT 60 cm /
- / Max. Arm Reach 75 cm /



DIMENSIONS / MINI TABLE LAMP

- / WIDTH 16.5 cm /
- / DEPTH 65 cm /
- / HEIGHT 45 cm /
- / Max. Arm Reach 50 cm /

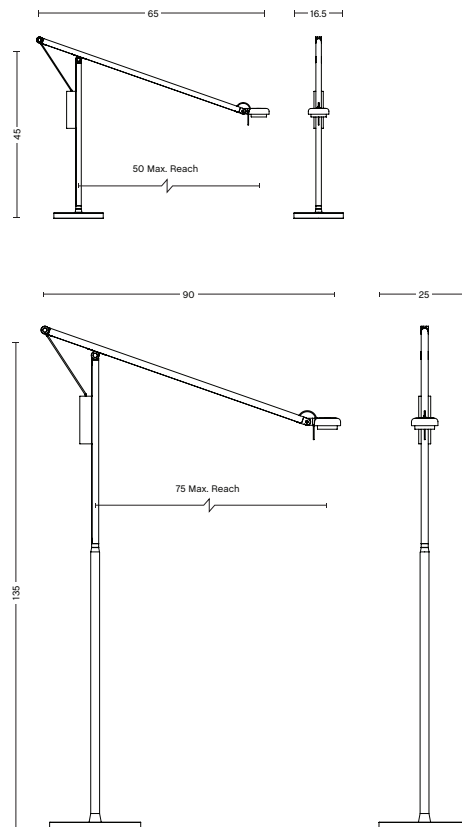


DIMENSIONS / TABLE LAMP WITH CLAMP

- / WIDTH 5.7 cm /
- / DEPTH 6.8 cm /
- / HEIGHT 9.4 cm /
- / Max. Clamp Mouth Opening 5.8 cm /

DIMENSIONS / FLOOR LAMP

- / Height 135 cm /
- / Length 90 cm /
- / Width 25 cm /
- / Max. Arm Reach 75 cm /



CONFIGURATIONS

	ARM	Table Lamp Body	Mini Table Body
BASE			
Table Free Standing Base	●	●	
Mini Free Standing Base			●
Clamp		●	
Floor Base Extension			●

TECHNICAL SPECIFICATION

- / LIGHT SOURCE / LED integrated
- / POWER* (watts) / 4W
- / FLUX* (lumens) / 360lm
- / CCT* (kelvin) / 3000K
- / CRI* (1-100) / 85
- / DIMMABLE / Yes
- / POWER SUPPLY / 220-240V AC at 50-60Hz
UK/EU plug mounted adapter
- / CORD LENGTH / 200cm
- / SWITCH / integrated touch step dimmer

*Measurements taken from production luminaire.

CERTIFICATIONS

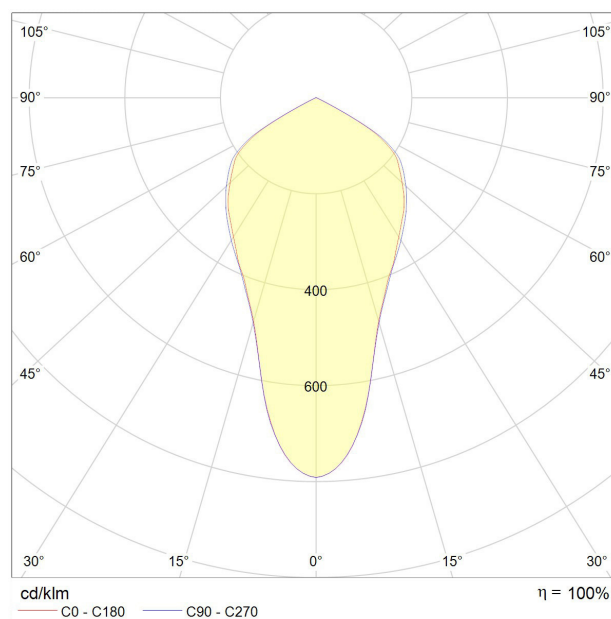
CE approved: this product has been assessed and complies with the essential requirements of the relevant European directives.



Tested according to the following European EN standards which relate specifically to electrical lighting products

- / EN 55015:2013 (radio disturbance)
- / EN 61547:2009 (EMC immunity)
- / EN 61000-3-2:2014 (EMC compatibility)
- / EN 61000-3-3:2013 (EMC compatibility)
- / EN 60598-2-4:1997 (portable luminaires)
- / EN 60598-1:2015 (general requirements)
- / EN 62493:2010 (human exposure to EMC)

PHOTOMETRICS



DOWNLOADS

2D files, 3D files and packshots will soon be available from our imagebank at hay.dk

Care and maintenance instructions and CE attestation of conformity certificates are available at hay.dk

An overview of the complete Hay lighting collection and accessories, can be found at hay.dk/en-gb/products/lighting/all-lighting

HAY

HAY Havnen 1 8700 Horsens Denmark +45 4282 0282 / www.hay.dk