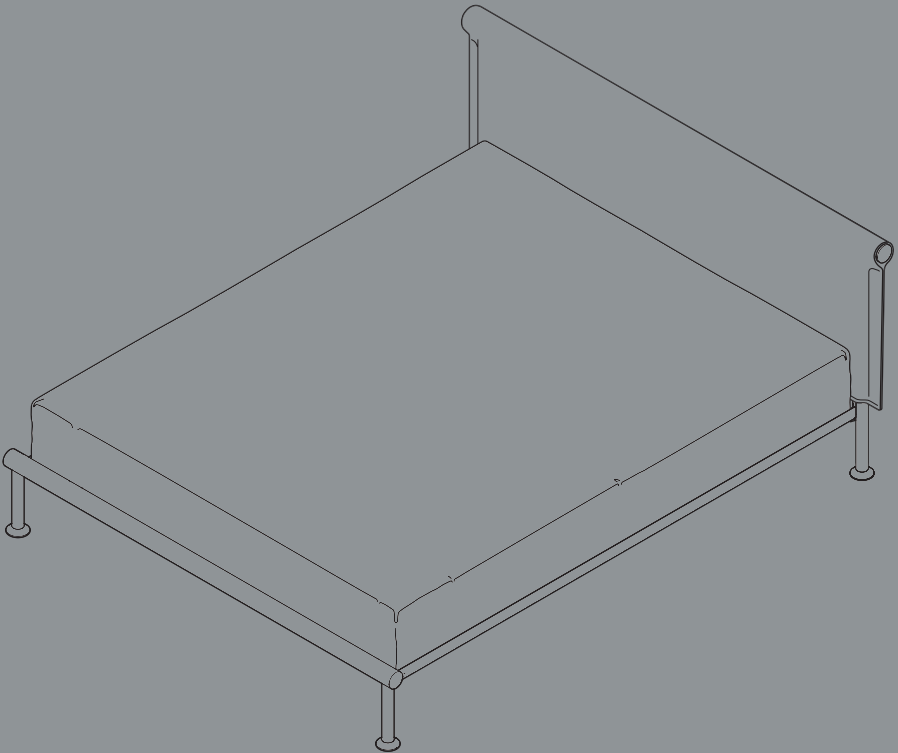


- INSTRUCTION MANUAL -

TAMOTO BED



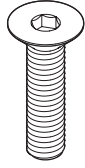
DESIGN BY SHANE SCHNECK

HAY

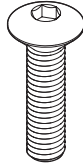
- PARTS -



A Screw



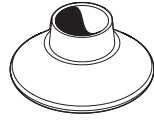
B Screw



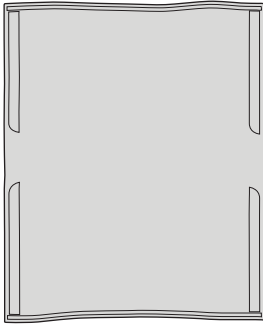
C Screw



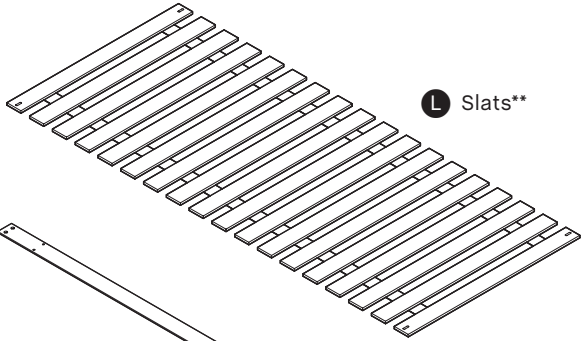
F Allen key



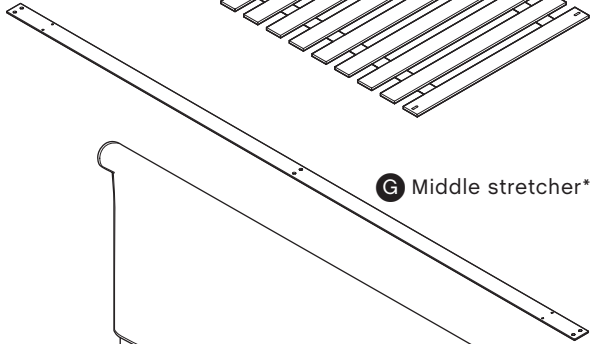
E Glider



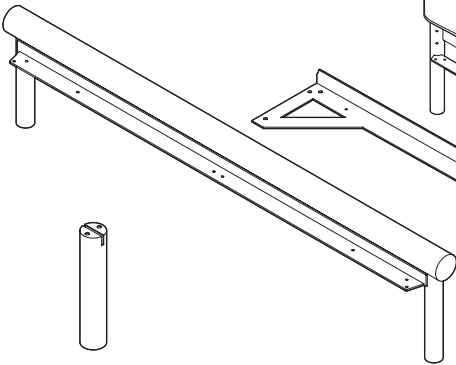
D Textile cover



L Slats**

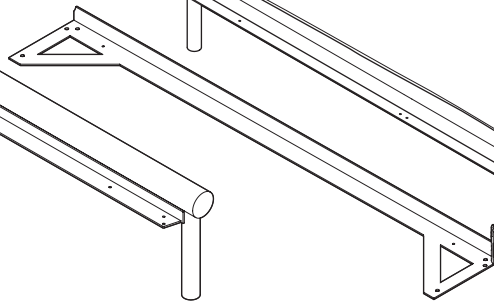


G Middle stretcher*

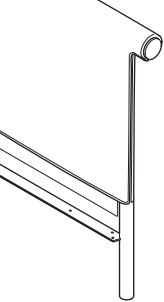


H Middle leg*

I Foot



J Stretcher



K Headboard

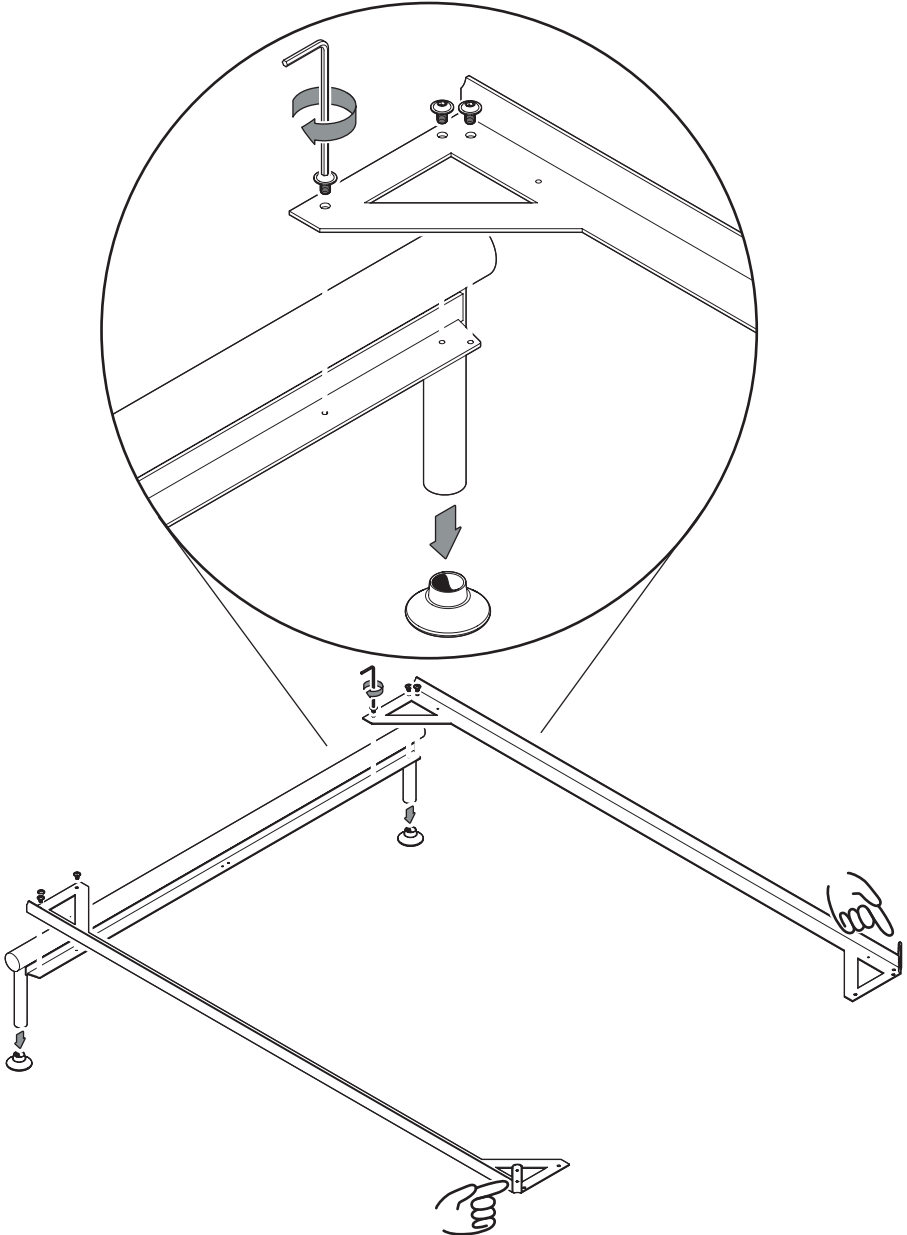
*Not for all sizes

**Sold separately in some markets

1.

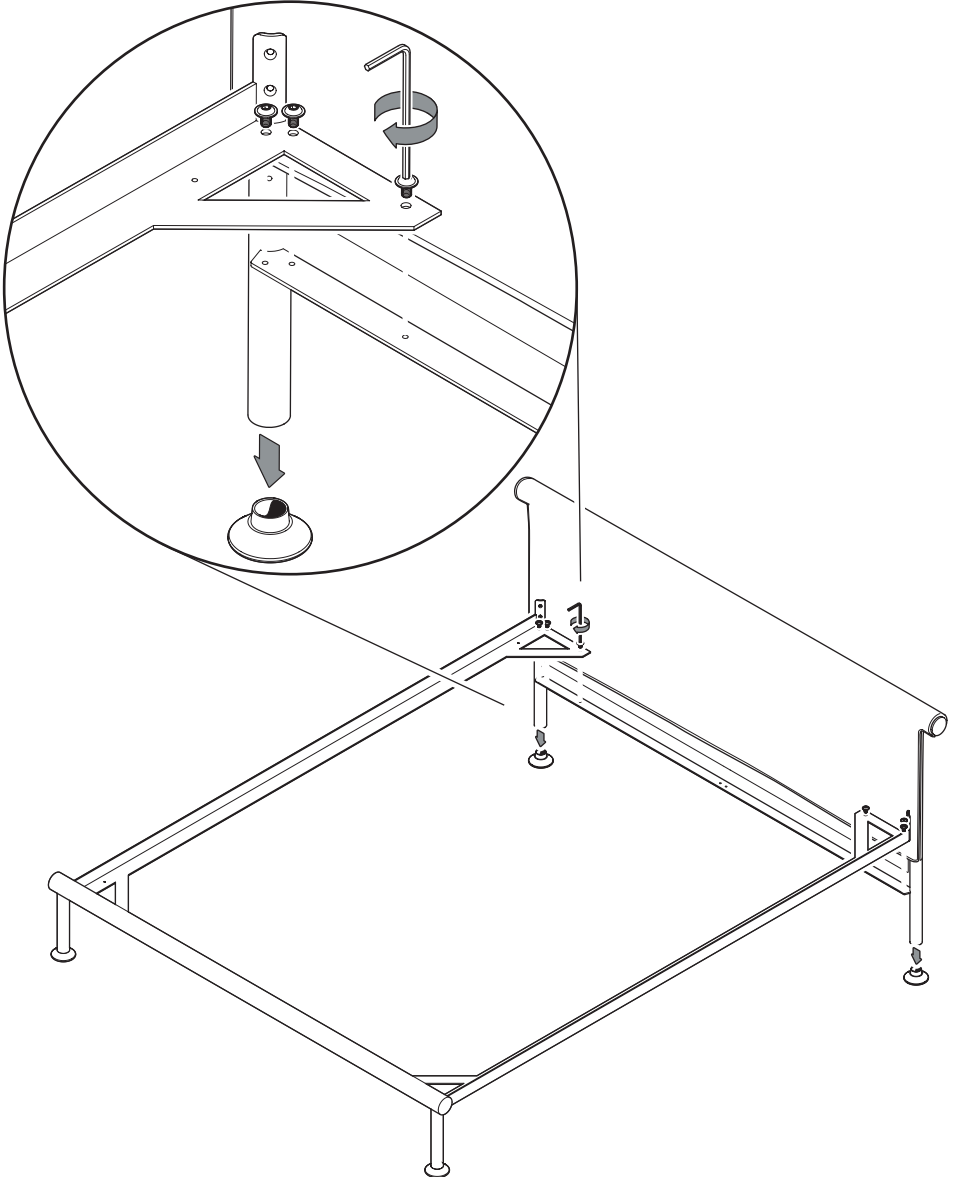
Connect the stretchers **J** to the foot of the frame using the screws **A** and the Allen key **F**. Mount all the screws loosely before tightening them completely.

Then press the gliders **E** onto the legs.



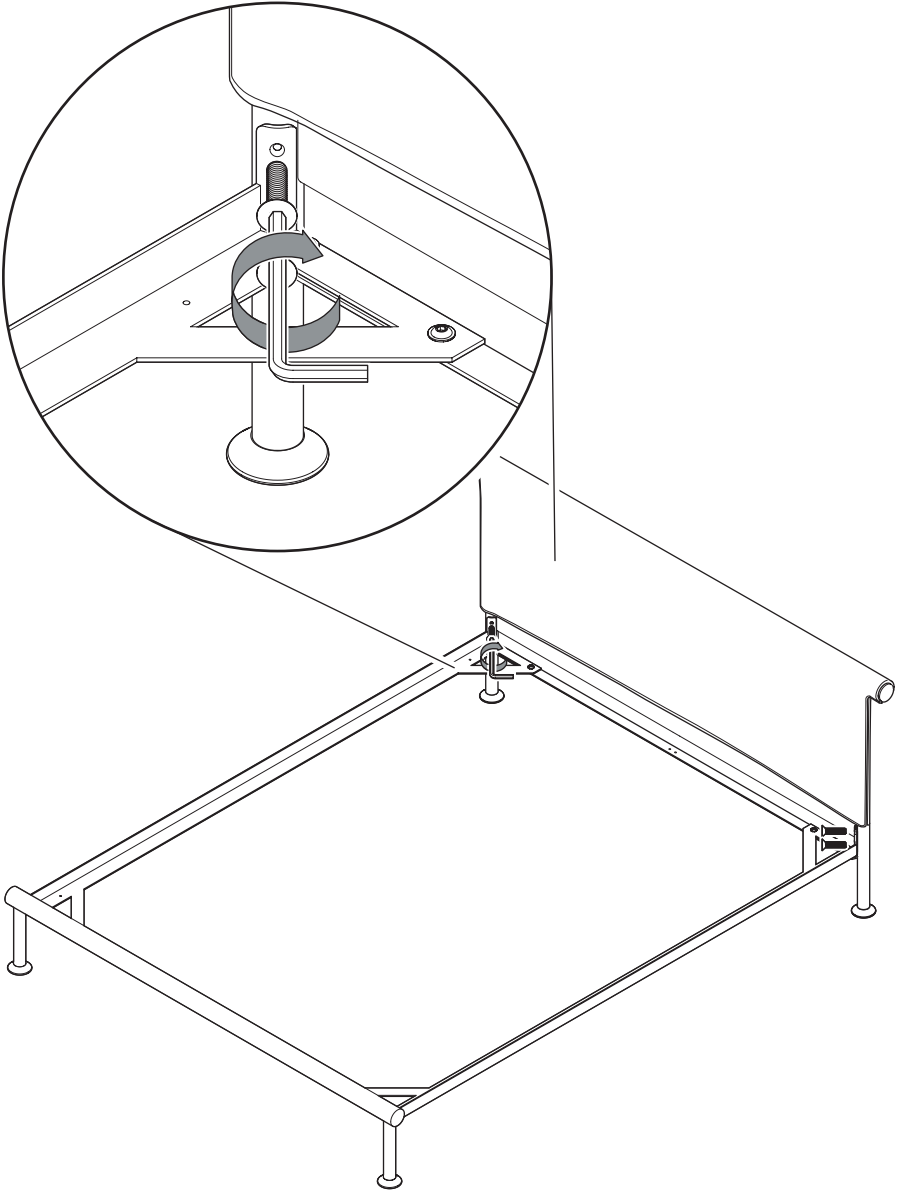
2.

Connect the frame to the headboard **K** using the screws **A** and the Allen key **F**.
Mount all the screws loosely before tightening them completely.
Then press the gliders **E** onto the legs.



3.

Connect the frame to the headboard **K** using the screws **B** and the Allen key **F**.
Mount all the screws loosely before tightening them completely.

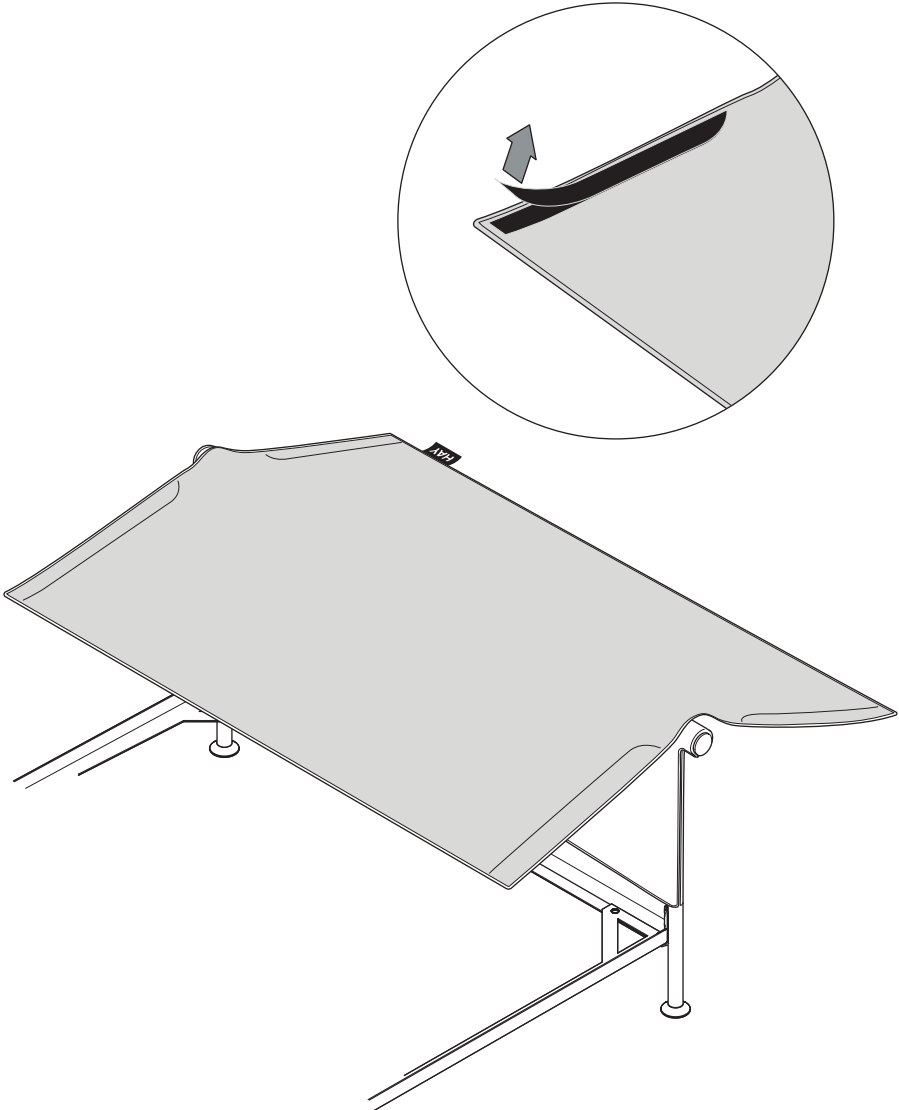


4.

Remove the textile covering the velcro on all four stripes.

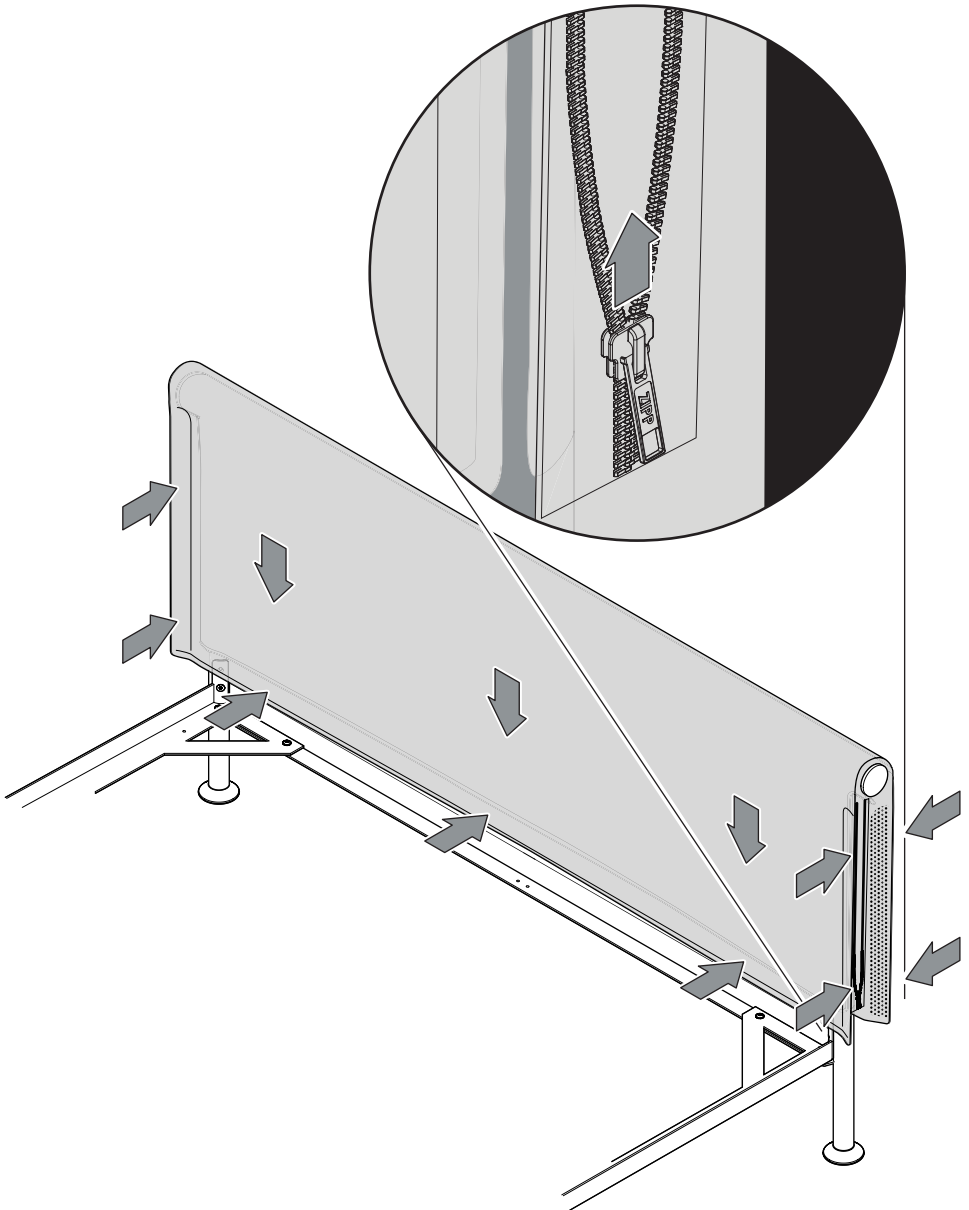
Drape the textile cover **D** over the headboard.

Make sure the HAY label is on the backside of the headboard.



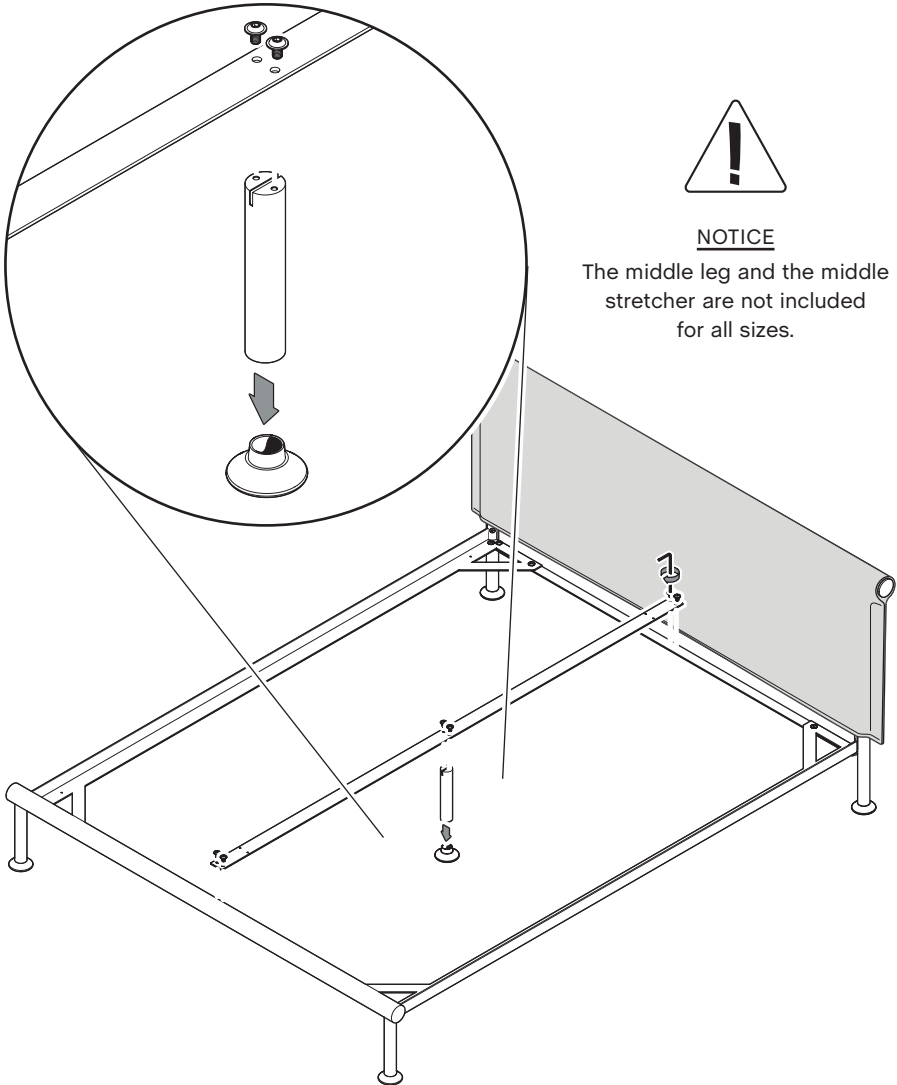
5.

Pull the cover down on both sides. Then zip the zipper and press the velcro together, both at the sides and on the bottom.



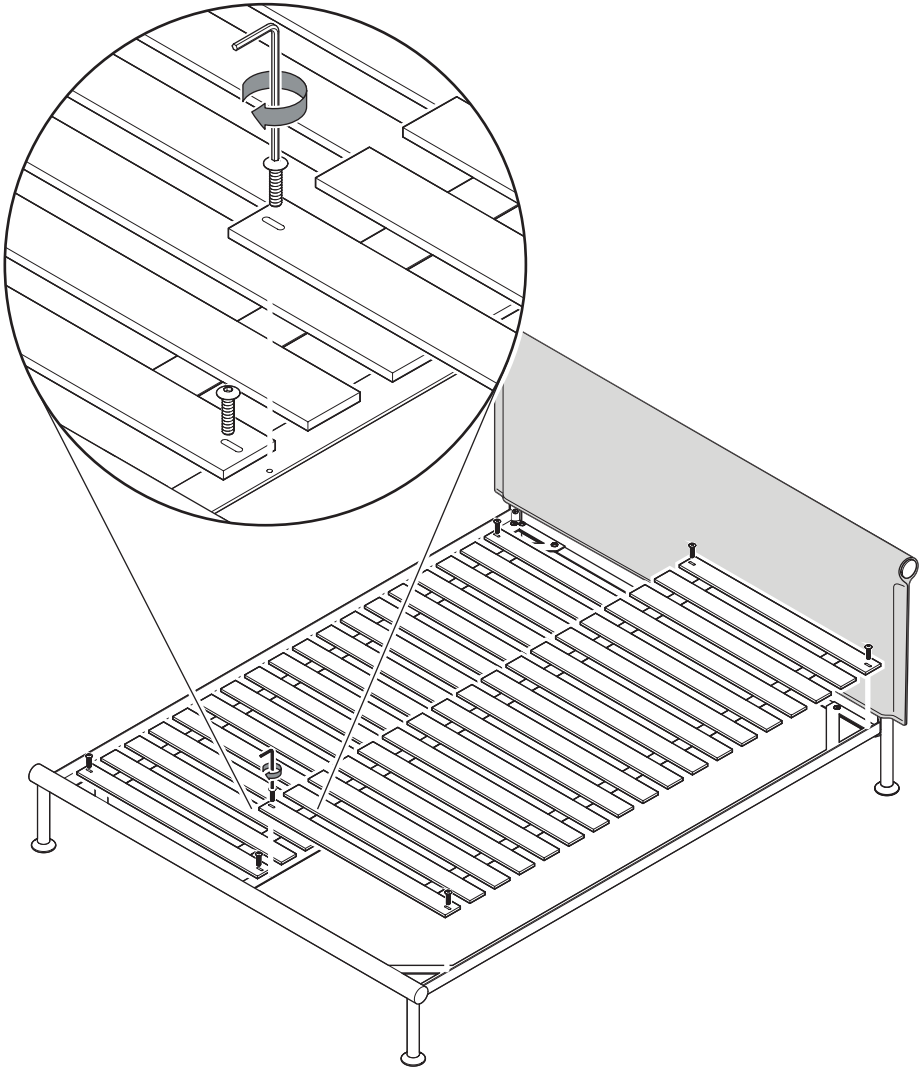
6.

Press the glider **E** onto the middle leg **H**. Mount the middle stretcher **G** with the middle leg **H** underneath. Secure it with the screws **A** using the Allen key **F**. Mount all the screws loosely before tightening them completely.



7.

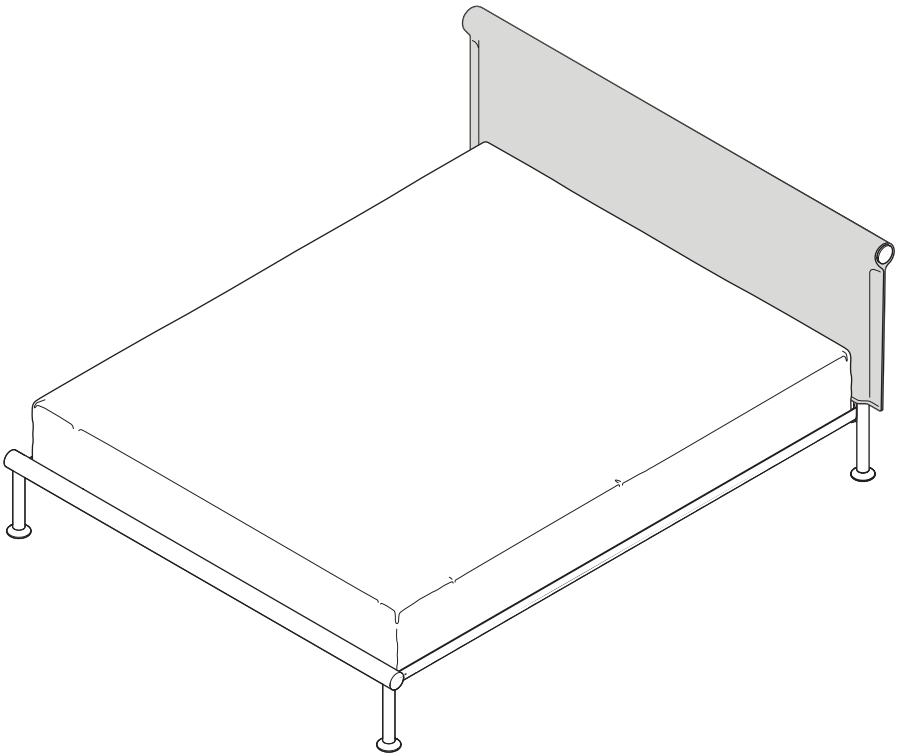
Mount the slats* **L** using the screws **C** with the Allen key **F**.
Mount all the screws loosely before tightening them completely.



*Sold separately in some markets

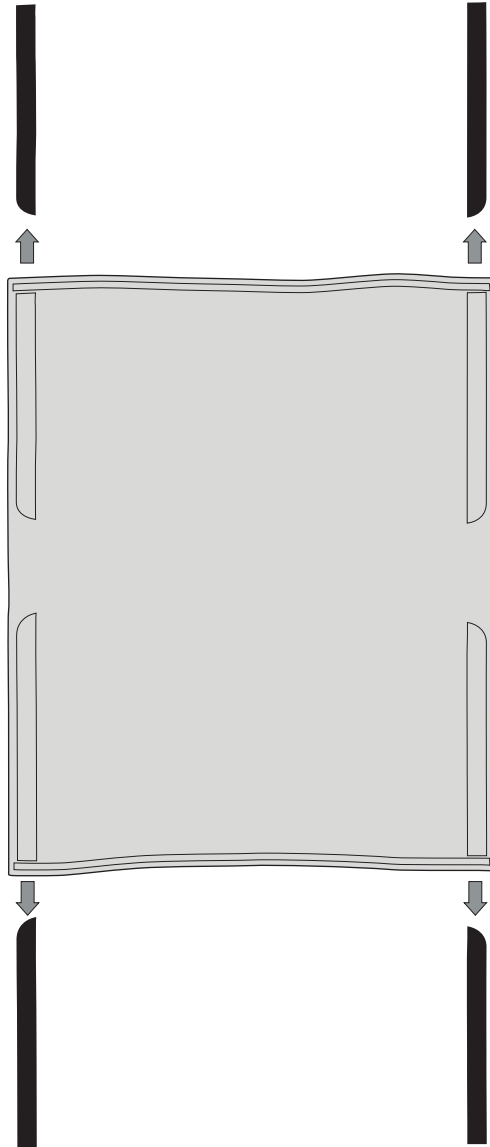
8.

Place the mattress on top of the slats.



- CARE & MAINTENANCE -

The textile cover is dry clean only.
Pull out the reinforcements from each corner before cleaning.



- CARE & MAINTENANCE -

Our Care & Maintenance offers guidance for optimal maintenance of your HAY product. It includes advice and instructions on cleaning and caring for specific materials to prolong the life of your furniture.



Please find our Care & Maintenance guide by scanning the QR code



You can find more relevant information on Tamoto Bed by scanning the QR code

You can also find the same information here
hay.dk/downloads

Havnen 1 8700 Horsens Denmark
+45 4282 0282 / hay@hay.com

www.hay.com

13/01/2022

HAY