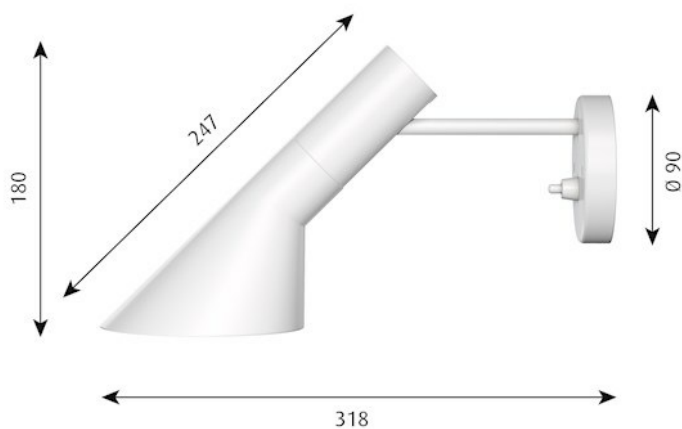

AJ WALL

**Design:**

Arne Jacobsen

Concept:

The fixture emits downward directed light. The angle of the shade and rotation can be adjusted to optimize light distribution. The shade is painted white on the inside to ensure a soft comfortable light.

Finish:

White, Black, Aubergine, Dark Green, Dark Grey, Light Grey, Midnight Blue, Pale Petroleum, Rusty Red, Yellow Ochre, wet painted.

Material:

Shade: Spun steel. Wall box: Spun steel. Arm: Steel.

Mounting:

Cable type: Plastic cord with plug. Cable length:

Weight:

Min: 0.8 kg Max: 0.9 kg

Class:

Ingress protection IP20. Electric shock protection II w/o ground.

Specification notes:

The innovation of light sources is ongoing. Consequently we only inform about the max. wattages. On www.louis Poulsen.com we update a list of recommendable light sources.

2.4m. Light control: Switch in wallbox.

Results (11)



LIGHT SOURCE	FINISH	SHADE	CABLE TYPE	ORDER-NO.	
1X40WE14	AUBERGINE	TILTABLE	BLK PL	5743160875	>
1X40WE14	BLACK	TILTABLE	BLK PL	5743161780	>
1X40WE14	DARK GREEN	TILTABLE	BLK PL	5743160901	>
1X40WE14	DARK GREY	TILTABLE	BLK PL	5743160891	>
1X40WE14	LIGHT GREY	TILTABLE	BLK PL	5743160888	>
1X40WE14	MIDNIGHT BLUE	TILTABLE	BLK PL	5743160862	>
1X40WE14	PALE PETROLEUM	TILTABLE	BLK PL	5743161793	>
1X40WE14	RUSTY RED	TILTABLE	BLK PL	5743160859	>
1X40WE14	WHT	-	-	5743144749	>
1X40WE14	WHT	TILTABLE	WHT PL	5743161777	>
1X40WE14	YELLOWOCHRE	TILTABLE	BLK PL	5743160846	>