



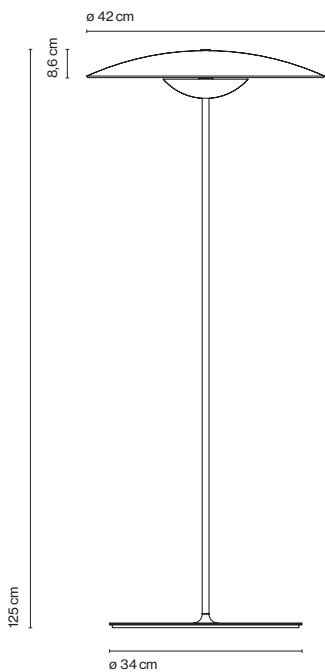
# Ginger

## Joan Gaspar

**marset**



**Ginger P**



**Ginger P**

LED SMD 15,4W 700mA  
2700K 2130lm (included)

- Oak
- Wenge

Black electrical cord

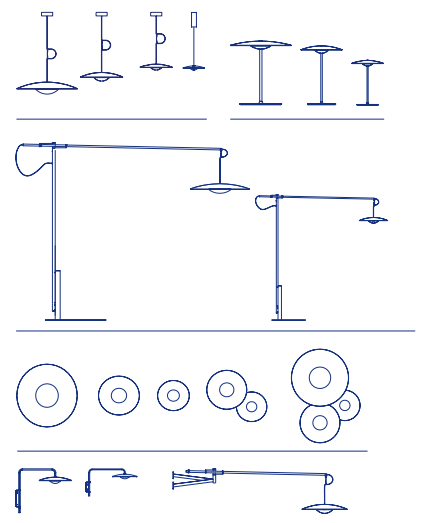
\* In-line motion sensor dimmer

Diffuser and pressed wood base of 4 mm in natural oak or wenge. Injected aluminium dissipater and lacquered black matte metal stem.

dimmer \*

- [Download](#) Assembly Instructions
- [Download](#) Photometric Data
- [Download](#) 2D
- [Download](#) 3D
- [Download](#) Energy label

**Range**



**Watch the video**  
info@marset.com  
www.marset.com

Wood is a great ally of cozy lighting. It is a material that is hard to mold, a challenge that the Ginger collection neatly resolves. The combination of sheets of wood and paper pressed together under high pressure achieves a laminate that appears almost entirely flat.