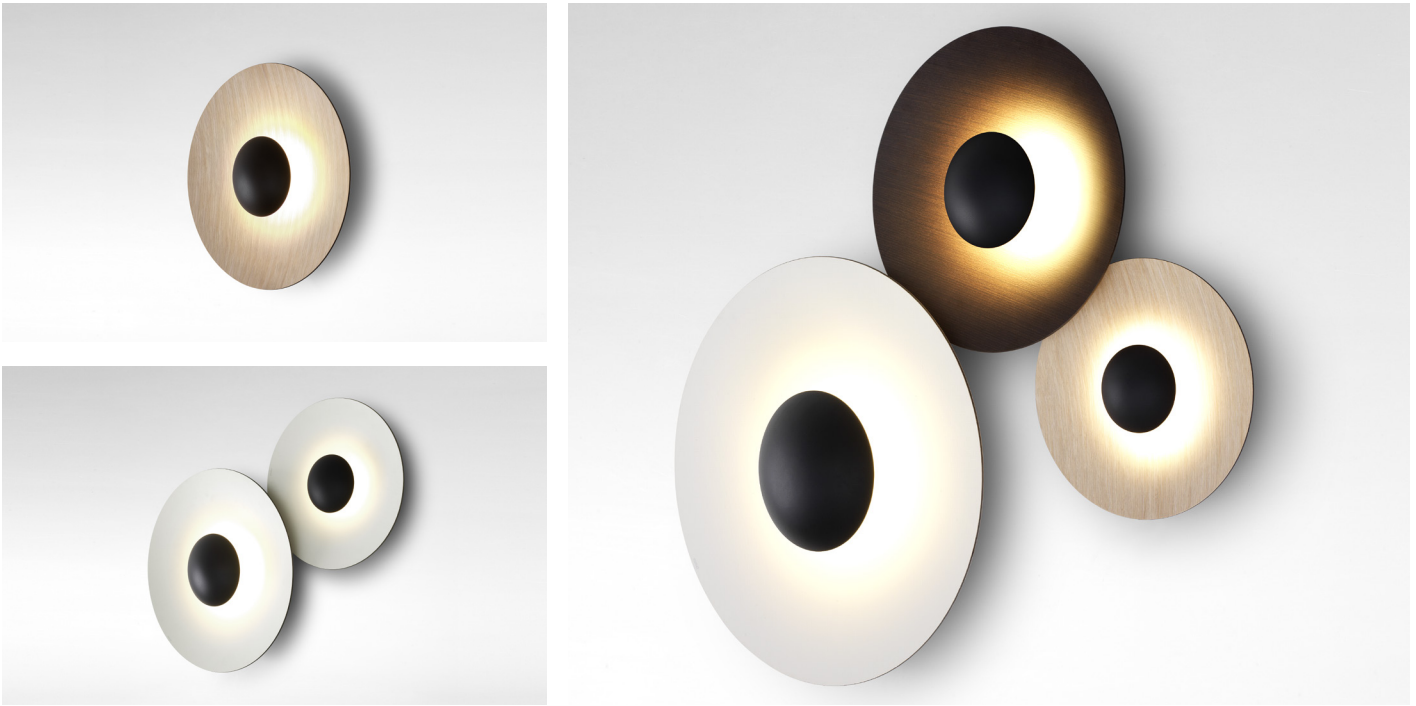




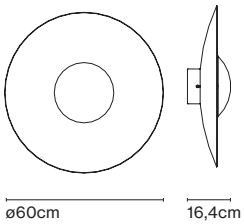
Ginger

Joan Gaspar

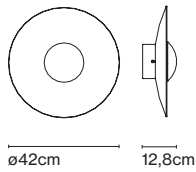
marset



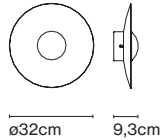
Ginger 60C



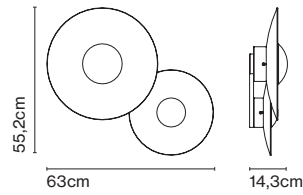
Ginger 42C



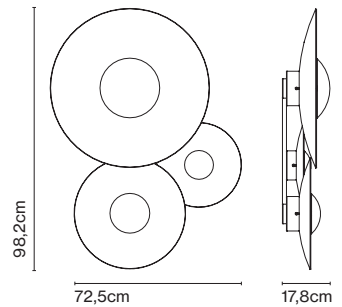
Ginger 32C



Accessory C2



Accessory C3



Wood is an old ally of cozy lighting. It is a material that is hard to mold, a challenge that the Ginger collection neatly resolves. The combination of sheets of wood and paper pressed together under high pressure achieves a laminate that appears almost entirely flat.

Ginger 32C

LED SMD 7,8W 700mA 2700K 1066lm (included)

Ginger 42C

LED SMD 15,4W 700mA 2700K 2130lm (included)

Ginger 60C

LED SMD 20,8W 700mA 2700K 3023lm (included)

Accessory C2

LED SMD 23,2W 700mA 2700K 3196lm (included)

Accessory C3

LED SMD 15,4W 700mA 2700K 2130lm (included)

Pressed wood diffuser of 4mm in natural oak or wenge. Injected and lacquered black metal matte aluminium dissipater.

- Oak
- Wenge
- Oak - White
- Wenge - White
- Black



dimmable*

*Phase cut dimmer leading and trailing edge (Triac)

Range

