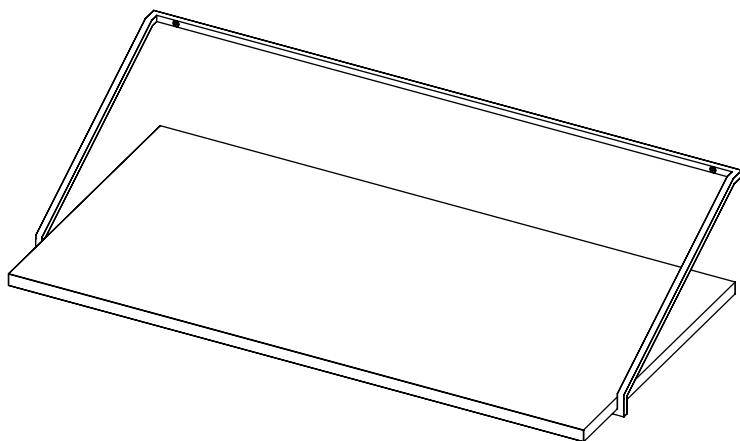


Rail Desk

by Keiji Ashizawa



MENU

ATTENTION! Use screws and wall plugs that are suitable for the walls in your home. If you are uncertain as to which types of screws/wall plugs to use, you should ask your DIY store. To avoid risk of pulling or extra weight onto the mirror please do not hang anything on the mirror such as towel, scarves or other items.

If the Rail Desk is mounted according to the assembly instruction, and the recommendations of screws and wall plugs, it can handle **up to 80 kg**.

Item

Rail Desk, black steel frame and dark stained oak table top or natural oak table top.
The table tops are protected with a clear matt lacquer.

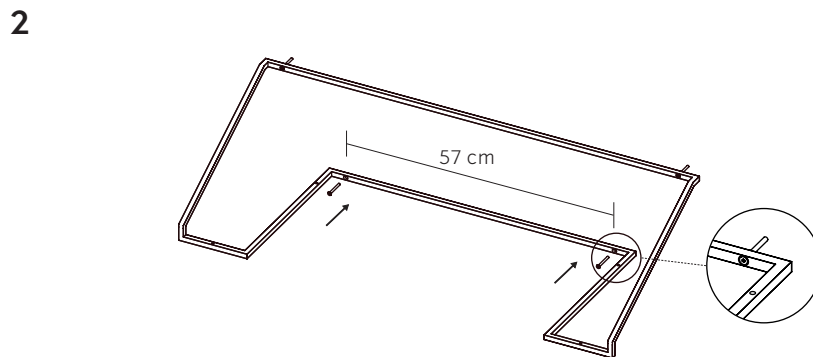
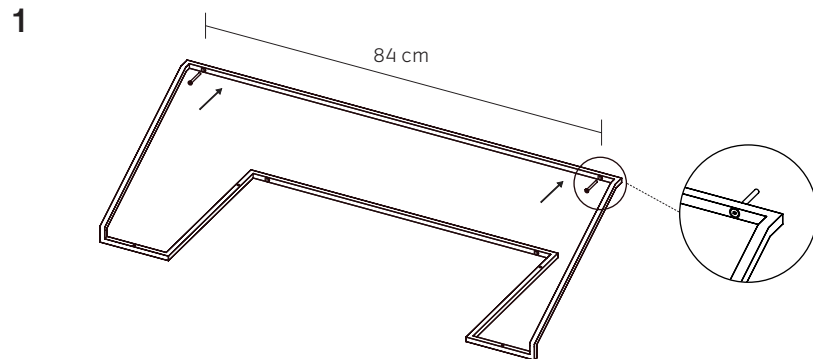
Specifications

Size: H: 21,2 cm, W: 92 cm, D: 45 cm

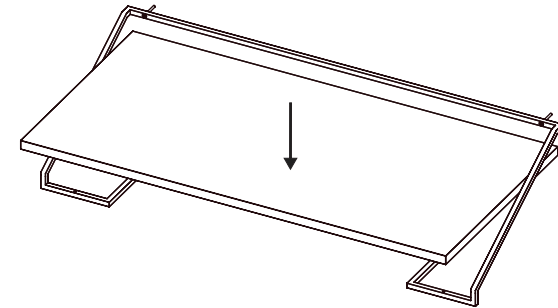
Weight: 1 pc - 8,5 kg

Care and maintenance

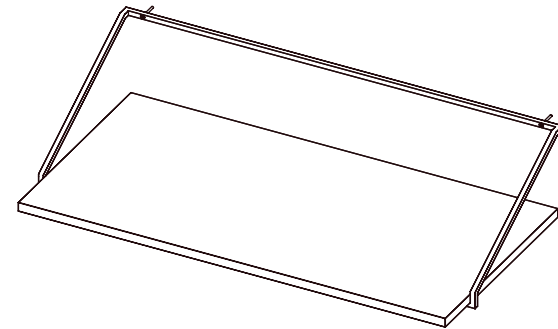
Please see care instructions on www.menuspace.com



3



4



5

