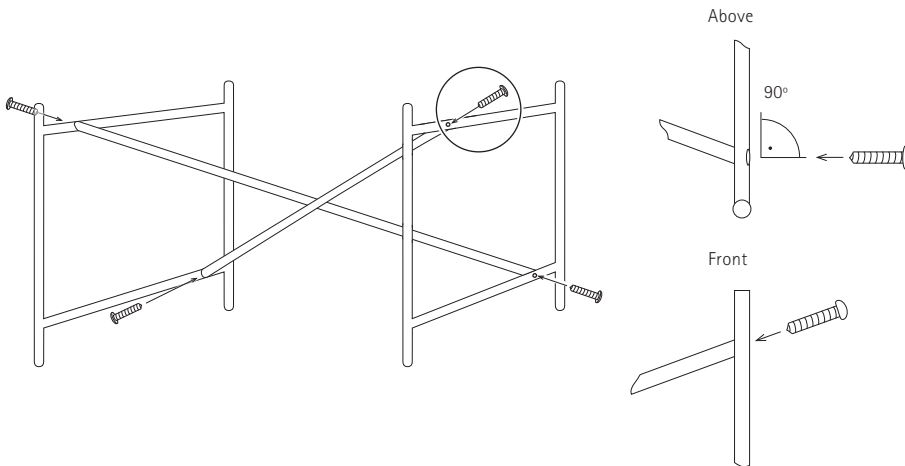


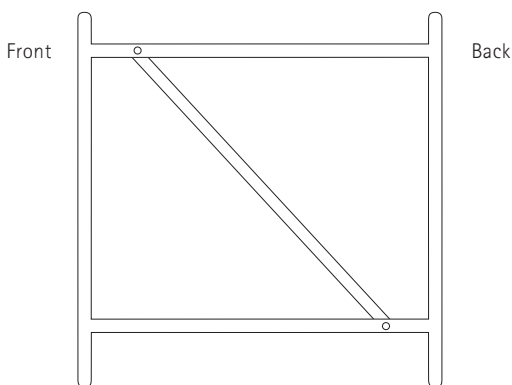
**Tableframe Eiermann 1**  
**Assembly instruction**

1. Lean one End-frame against a table or wall.
2. Align the End-Frame with the Cross so that the tube ends of the Cross-bar are flush with the End-frame.
3. Screw one or both screws through the End-frame into the Cross-bar, before you align the second End-frame and screw together. Do not tighten screws at this point.

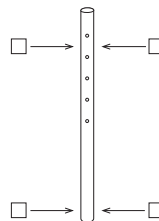
**Attention:** If you tighten the screw in the wrong angle you will damage the thread of the screw!  
 Therefore first tighten the screw by hand 3 - 4 turns of a thread and then use a screwdriver.



4. Place the table top onto the frame and tighten the screws with force. Use a 90° angle to the frame if necessary prior to tightening.
5. Prior to final setup, use the enclosed black plastic plugs (below) with the base of End-frame. Alternatively you may specify self-leveling feet set for uneven floors. For the top of the End-frame use also black plastic, or for greater friction the rubber-stoppers (please use a little washing-up liquid if required). To set the table height to your desired level use the Height Adjustment Rods (also with plastic or rubber stoppers). Never use the rubber stoppers for the base.



Attaching the plastic leaflets



**Attention:**

The Height Adjustment Rods are 1 mm smaller than the diameter of the frame. To prevent rattling and to allow a firm fitting we supply adhesive transparent plastic leaflets. After removing the film you can stick the leaflets on the Height Adjustment Rods, if necessary on both sides.

**RICHARD LAMPERT**

Richard Lampert  
 GmbH & Co KG

Gaisburgstraße 12 b  
 D 70182 Stuttgart

Fon 0711 860 20 70  
 Fax 0711 860 20 720

[www.richard-lampert.de](http://www.richard-lampert.de)  
[mail@richard-lampert.de](mailto:mail@richard-lampert.de)