

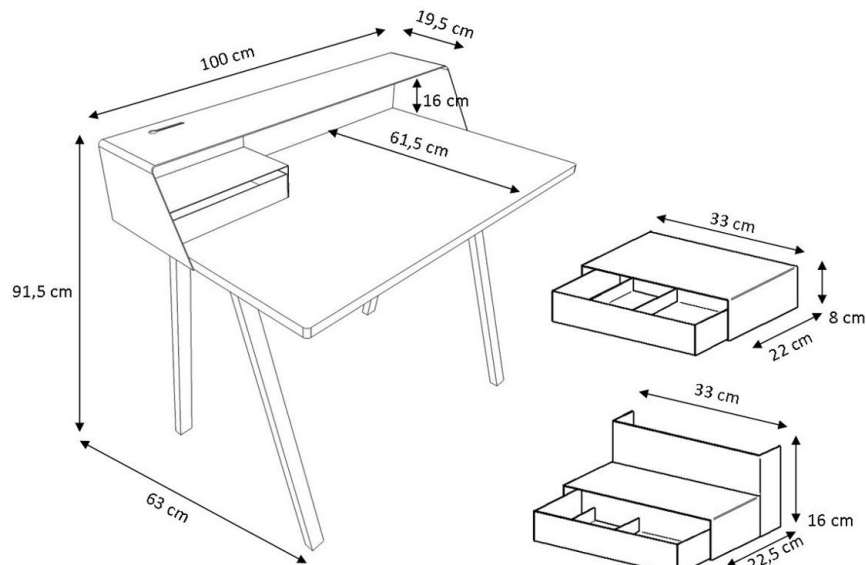


mark seelen c/o katrin nehlsen photographers
and motion services by Wohnidee

PS04 *secretary tables*

Sekretäre

As optional accessories, documents and office supplies find their place effortlessly in practical metal drawers. The power box ensures the electricity supply and, alongside additional storage space, offers plenty of room for cables and chargers. The PS04 secretary table is optionally available with metal or wooden legs. The work surface, made of solid oak or nut, and the colourfully designed metal construction provide an exciting mix of materials and colours.





PS05 *secretary tables*

Sekretäre

As optional accessories, documents and office supplies find their place effortlessly in practical metal drawers. The power box ensures the electricity supply and, alongside additional storage space, offers plenty of room for cables and chargers. The PS05 secretary table is optionally available with metal or wooden legs. The work surface, made of solid oak or nut, and the colourfully designed metal construction provide an exciting mix of materials and colours.

