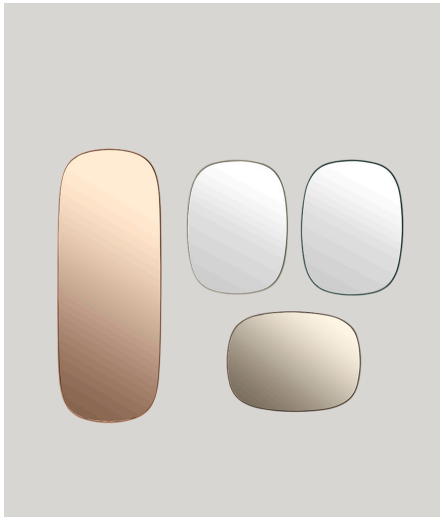
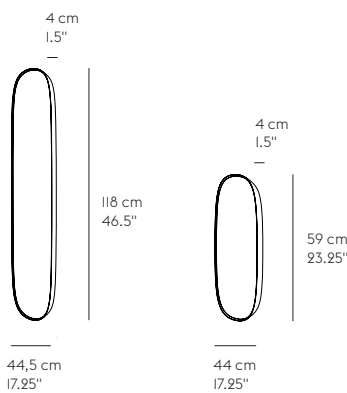


FRAMED MIRROR



ANDERSSEN & VOLL ON THE DESIGN "We wanted to create a mirror that was more than merely a reflective surface. Framed is a new perspective to the classic framed mirror; it is a decorative design piece that leads your thoughts to installation art. It adds not only the functionality of a mirror to your home, but with its depth, organic shape and tone-in-tone color, it is almost perceived as an art object on the wall. The Framed Mirror can hang beautifully on your walls alone or combined with other sizes and colours."



DESIGNED BY / YEAR OF DESIGN

Andersen & Voll / 2016

ABOUT THE DESIGNER

Anderssen & Voll are two thirds of the former design team Norway Says and among the most prominent and successful Norwegian designers. They have formerly been named both Norwegian and Scandinavian designers of the year in Norway and have received International awards and recognition for their work with furniture, lighting and home accessories.

CATEGORY

Wall hanging mirror

ENVIRONMENT

Indoor

PRODUCTION PROCESS

A steel plate is worked through three rounds to shape the mirror's frame. The surface is powder coated. Lastly, mirror glass is gently installed to create the little gap between the mirror's frame and mirror glass.

MATERIAL

Powder coated steel. Mirror glass sheet.

CLEANING AND CARE

Clean mirror glass using a mild glass spray and a soft dry cloth.



DESCRIPTION

A series of mirrors in two sizes and three color versions. Mirrors with colored glass that challenges the function of a classic mirror and adds the dimension of decoration to an interior setting. Hang the mirrors in groups of two or more to create an almost art-like mirror installation on a wall. The mirrors are not suited for use in bathrooms and other wet rooms. Mirrors can be mounted both vertically and horizontally.