

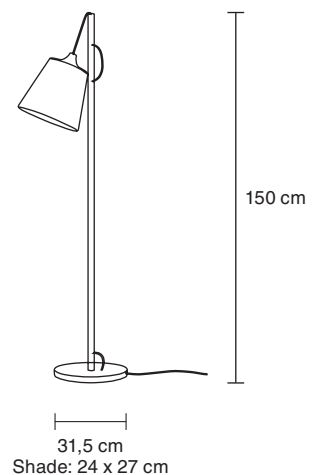
PULL FLOOR LAMP

FURNITURE / LIGHTING / ACCESSORIES

WHATSWHAT ON THE DESIGN "The unique composition of the Pull Lamp provides the lamp with a unique personality that both organic and distinctively true to it's Scandinavian design heritage. The partly exposed, partly hidden cord connects the elements and provides the mechanism to adjust the position of the shade. Moving the shade not only changes the light but also the character of the lamp."

PRODUCT FACT SHEET

PROCESS	Wood parts are handmade by manual lathe and wood carving machines. Shade is hand crafted and handled carefully through every step.
DESIGNED BY / YEAR OF DESIGN	Whatswhat / 2012
TYPE	Floor lamp
DESCRIPTION	Pull is a floor lamp with an adjustable shade and a distinctive Scandinavian design. Pull won the Muuto Talent Award competition for design students in 2010.
ENVIRONMENT	Indoor
DIMENSIONS (CM)	H: 150 Foot: Ø 31,5
CORD LENGHT (MM)	200
MATERIAL	Oiled oak wood. Steel insert. Shade in linen covered plast composite.
COLOR	Natural oak wood & white linen-covered shade
VOLTAGE (V)	220 V - 240 V ~ 50 Hz, bulb 1 x 23 W
DIMMABLE FUNCTION	Yes
BULB INCLUDED	No
CLEANING INSTRUCTIONS	Wipe off dust with dry cloth. If necessary use moist cloth, then dry off. Always clean along the grains of the wood.



ABOUT THE DESIGNER Whatswhat is a Stockholm based studio consisting of John Astbury, Bengt Brummer and Karin Wallenbeck. Established in 2010 they have already shown their work in New York, London, Tokyo, Paris and Stockholm, receiving international recognition for their work, winning the Muuto Talent award in 2010 and an Elle Interior Award in 2012.

